



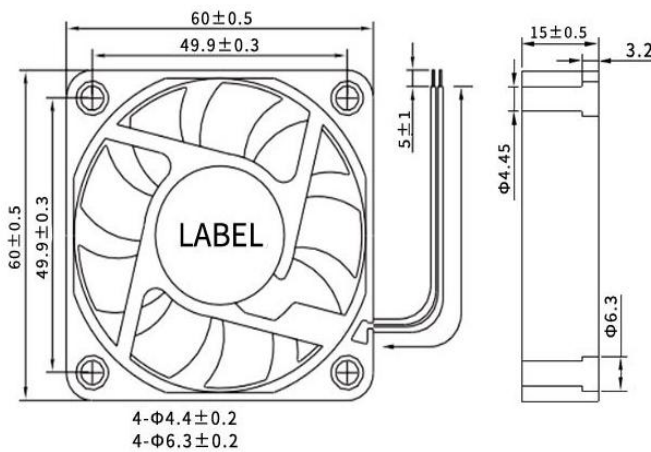
DC BRUSHLESS FAN

AF9D6015B 60*60*15mm

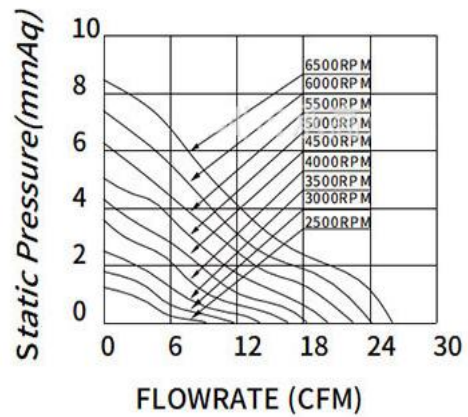
Motor:DC Brushless
 Bearing:Ball、sleeve、Hydraulic
 Shell frame: PBT UL94V-0
 Fan blade: PBT UL94V-0
 Insulation:Class B
 Wire:AWG#26UL1007 (optional)
 PIN1:BLACK WIRE----(-)
 PIN2:RED WIRE----(+)



DIMENSIONS DRAWING(unit:mm)



P@Q CURVE(AT RATEDVOLTAGE)



Model	Bearing Mode①	Rate d	Operating	Rated	Rated	Speed	Maximum air Flow		Maximum Air pressure		Noise
		Volt	voltage range	current	input power		M3/min	CFM	mmH2O	InH2O	
PART. NO.		VDC	VDC	Amp	Walt	R. P. M					dB-A
AF9D6015B05L	B=Ball S=Sleeve H=Hydraulic	5	1.8~3~6	0.14	0.72	2000	0.268	9.41	1.34	0.053	21.1
AF9D6015B05M		5	1.8~3~6	0.19	0.96	3000	0.328	11.50	1.86	0.073	24.8
AF9D6015B05ML		5	1.8~3~6	0.24	1.20	3500	0.406	14.20	2.61	0.103	29.8
AF9D6015B05H		5	1.8~3~6	0.29	1.44	4000	0.468	16.40	3.50	0.138	31.2
AF9D6015B12L		12	7~13.5	0.06	0.72	2000	0.268	9.41	1.34	0.053	21.1
AF9D6015B12M		12	7~13.5	0.08	0.96	3000	0.328	11.50	1.86	0.073	24.8
AF9D6015B12ML		12	7~13.5	0.1	1.20	3500	0.406	14.20	2.61	0.103	29.8

AF9D6015B12H	B=Ball S=Sleeve H=Hydraulic	12	7~13.5	0.12	1.44	4000	0.468	16.40	3.50	0.138	31.2
AF9D6015B12HL		12	7~13.5	0.14	1.68	4500	0.524	18.30	4.35	0.171	34.8
AF9D6015B12HH		12	7~13.5	0.16	1.92	5000	0.584	20.50	5.34	0.21	36.6
AF9D6015B12HV		12	7~13.5	0.18	2.16	5500	0.640	22.40	6.35	0.25	39.0
AF9D6015B12VH		12	7~13.5	0.2	2.40	6000	0.603	21.10	7.33	0.289	41.0
AF9D6015B24L		24	18~26.5	0.03	0.72	2000	0.268	9.41	1.34	0.053	21.1
AF9D6015B24M		24	18~26.5	0.04	0.96	3000	0.328	11.50	1.86	0.073	24.8
AF9D6015B24ML		24	18~26.5	0.05	1.20	3500	0.406	14.20	2.61	0.103	29.8
AF9D6015B24H		24	18~26.5	0.06	1.44	4000	0.468	16.40	3.50	0.138	31.2
AF9D6015B24HL		24	18~26.5	0.07	1.68	4500	0.524	18.30	4.35	0.171	34.8
AF9D6015B24HH		24	18~26.5	0.08	1.92	5000	0.584	20.50	5.34	0.21	36.6
AF9D6015B24HV		24	18~26.5	0.09	2.16	5500	0.640	22.40	6.35	0.25	39.0
AF9D6015B24VH		24	18~26.5	0.1	2.40	6000	0.603	21.10	7.33	0.289	41.0

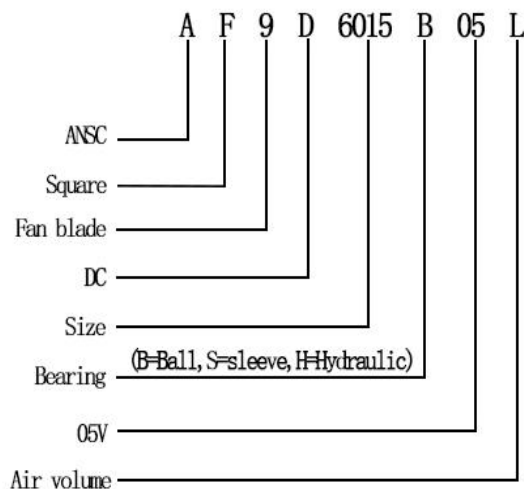
①Bearing Mode:Ball/ Sleeve/Hydraulic/Ball (UL)/Sleeve (UL)Hydraulic (UL)

②X=Function: FG RD RDL LD PWM TP VC RC CS RP SS AS CL IPX5

③A=Plug

④C=Customized by customers: Air volume, Air duct, Movement, Service life, Temperature, Noise, Material, Mold.etc.

导引：编码规则Code Rule



*PROPRIETARY AND CONFIDENTIAL , THE INFORMATION CONTAINED IN THIS DRAWING IS THE
SOLE PROPERTY OF <ALL NEW SEMI>.
ANY REPRODUCTION IN PART OR AS A WHOLE WITHOUT THE WRITTEN PERMISSION OF
<ALL NEW SEMI> IS PROHIBITED.

<https://allnewsemi.com>
<https://allnewsemi.shop>