



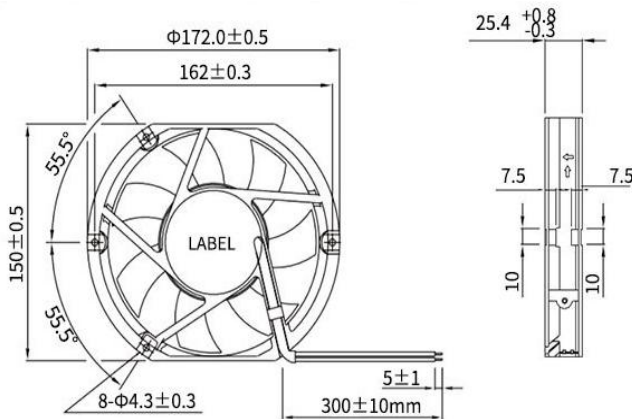
DC BRUSHLESS FAN

AQ7D17225B 172*150*25mm

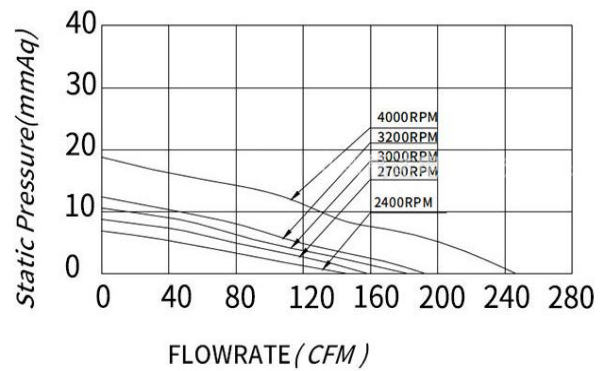
Motor:DC Brushless
 Bearing:Ball、sleeve、Hydraulic
 Shell frame: PBT UL94V-0
 Fan blade: PBT UL94V-0
 Insulation:Class B
 Wire:AWG#26UL1007 (optional)
 PIN1:BLACK WIRE---(-)
 PIN2:RED WIRE---(+)



DIMENSIONS DRAWING(unit:mm)



P@Q CURVE(AT RATED VOLTAGE)



Model	Bearing Mode①	Rated Volt	Operating voltage range	Rated current	Rated input power	Speed	Maximum air Flow		Maximum Air pressure		Noise
		VDC	VDC	Amp	Watt	R. P. M	M3/min	CFM	mmH2O	InH2O	
PART. NO.											
AQ7D17225B12L	B=Ball S=Sleeve H=Hydraulic	12	7.5~13.5	0.56	6.72	2400	4.110	145.16	6.92	0.272	48.1
AQ7D17225B12M		12	7.5~13.5	0.76	9.12	2700	4.508	159.20	8.79	0.346	51.0
AQ7D17225B12H		12	7.5~13.5	0.98	11.76	3000	5.313	181.22	10.47	0.412	54.1
AQ7D17225B12HH		12	7.5~13.5	1.17	14.04	3200	5.456	192.68	12.11	0.476	55.7
AQ7D17225B12VH		12	7.5~13.5	3	36.00	4000	6.966	246.03	18.74	0.737	62.9
AQ7D17225B24L		24	18~26.5	0.31	7.44	2400	4.110	145.16	6.92	0.272	48.1
AQ7D17225B24M		24	18~26.5	0.4	9.60	2700	4.508	159.20	8.79	0.346	51.0

AQ7D17225B24H	B=Ball S=Sleeve H=Hydraulic	24	18~26.5	0.5	12.00	3000	5.313	181.22	10.47	0.412	54.1
AQ7D17225B24HH		24	18~26.5	0.62	14.88	3200	5.456	192.68	12.11	0.476	55.7
AQ7D17225B24VH		24	18~26.5	1.6	38.40	4000	6.966	246.03	18.74	0.737	62.9
AQ7D17225B48L		48	36~54	0.17	8.16	2400	4.110	145.16	6.92	0.272	48.1
AQ7D17225B48M		48	36~54	0.22	10.56	2700	4.508	159.20	8.79	0.346	51.0
AQ7D17225B48H		48	36~54	0.27	12.96	3000	5.313	181.22	10.47	0.412	54.1
AQ7D17225B48HH		48	36~54	0.31	14.88	3200	5.456	192.68	12.11	0.476	55.7
AQ7D17225B48VH		48	36~54	0.8	38.40	4000	6.966	246.03	18.74	0.737	62.9

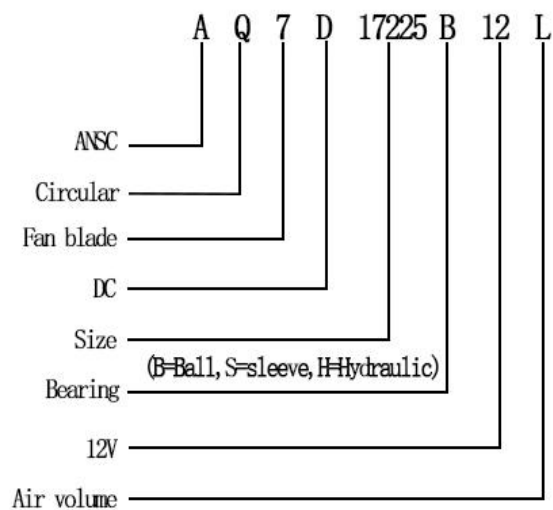
①Bearing Mode:Ball/ Sleeve/Hydraulic/Ball (UL)/Sleeve (UL)Hydraulic (UL)

②X=Function: FG RD RDL LD PWM TP VC RC CS RP SS AS CL IPX5

③A=Plug

④C=Customized by customers: Air volume, Air duct, Movement, Service life, Temperature, Noise, Material, Mold.etc.

导引: 编码规则Code Rule



*PROPRIETARY AND CONFIDENTIAL , THE INFORMATION CONTAINED IN THIS DRAWING IS THE SOLE PROPERTY OF <ALL NEW SEMI>.

ANY REPRODUCTION IN PART OR AS A WHOLE WITHOUT THE WRITTEN PERMISSION OF <ALL NEW SEMI> IS PROHIBITED.

<https://allnewsemi.com>
<https://allnewsemi.shop>