



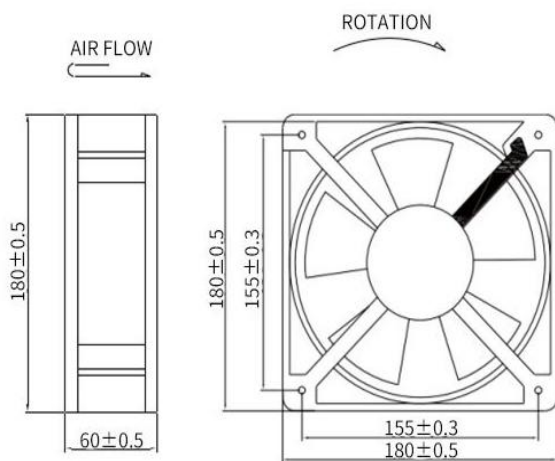
## AC BRUSHLESS FAN

**AF5A18060B 180\*180\*60MM**

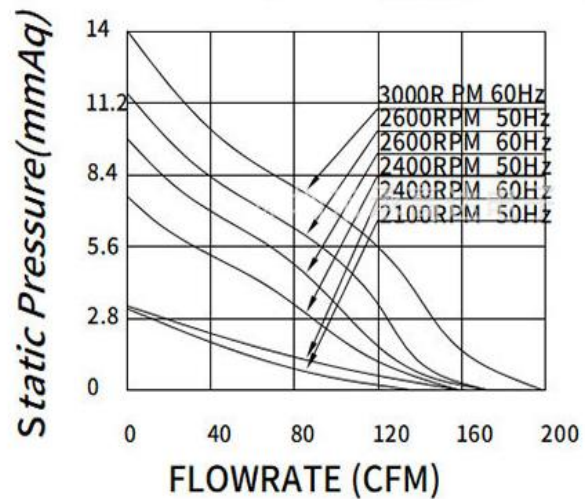
Motor: AC Brushless  
 Bearing: Ball  
 Shell frame: Aluminum Alloy  
 Fan blade: PBT UL94V\_0  
 Insulation: Class B  
 Wire: AWG#26UL1007 (optional)  
 PIN1: BLACK WIRE--- (-)  
 PIN2: RED WIRE--- (+)



**DIMENSIONS DRAWING(unit:mm)**



**P@Q CURVE(AT RATEDVOLTAGE)**



Model	Bearing Mode①	Rated Vol	Operating voltage	Rated curr	Rated input power	Speed	Maximum air Flow		Maximum Air pressure		Noise
		VDC	VDC	Amp	Watt		M3/min	CFM	mmH2O	InH2O	
PART. NO.		VDC	VDC	Amp	Watt	R. P. M	M3/min	CFM	mmH2O	InH2O	dB-A
AF5A18060B380H	B=Ball S=Sleeve H=Hydraulic	380	360~400	0.13	38/36	2600/3000	4.76/5.4	170/196	11.5/14	0.45/0.5	49/56
AF5A18060B220H		220	200~240	0.23	38/36	2600/3000	4.76/5.4	170/196	11.5/14	0.45/0.5	49/56
AF5A18060B220M		220	200~240	0.18	28/27	2400/2600	4.34/4.7	155/170	7.5/9.7	0.3/0.3	45/49
AF5A18060B220L		220	200~240	0.12	21/20	2100/2400	3.84/4.3	137/155	3/3.9	0.12/0.1	39/45
AF5A18060B110H		110	100~120	0.45	38/36	2600/3000	4.76/5.4	170/196	11.5/14	0.45/0.5	49/56
AF5A18060B110M		110	100~120	0.3	28/27	2400/2600	4.34/4.7	155/170	7.5/9.7	0.3/0.3	45/49

AF5A18060B110L	B=Ball S=Sleeve H=Hydraulic	110	100~120	0.15	21/20	2100/2400	3.84/4.3	137/155	3/3.9	0.12/0.1	39/45
----------------	-----------------------------------	-----	---------	------	-------	-----------	----------	---------	-------	----------	-------

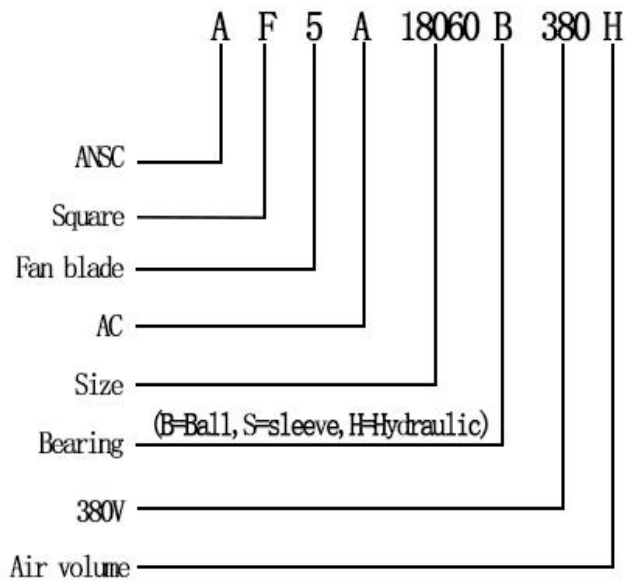
①Bearing Mode:Ball/ Sleeve/Hydraulic/Ball (UL)/Sleeve (UL)Hydraulic (UL)

②X=Function: FG RD RDL LD PWM TP VC RC CS RP SS AS CL IPX5

③A=Plug

④C=Customized by customers: Air volume, Air duct, Movement,Service life, Temperature, Noise, Material, Mold.etc.

导引： 编码规则Code Rule



\*PROPRIETARY AND CONFIDENTIAL , THE INFORMATION CONTAINED IN THIS DRAWING IS THE SOLE PROPERTY OF <ALL NEW SEMI>.  
 ANY REPRODUCTION IN PART OR AS A WHOLE WITHOUT THE WRITTEN PERMISSION OF <ALL NEW SEMI> IS PROHIBITED.

<https://allnewsemi.com>  
<https://allnewsemi.shop>