



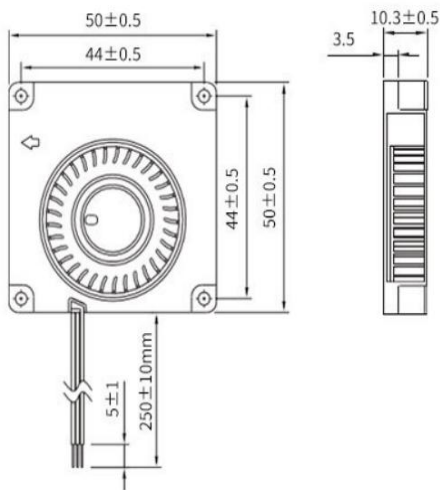
## DC Blower fan

AG5010B 50\*50\*10mm

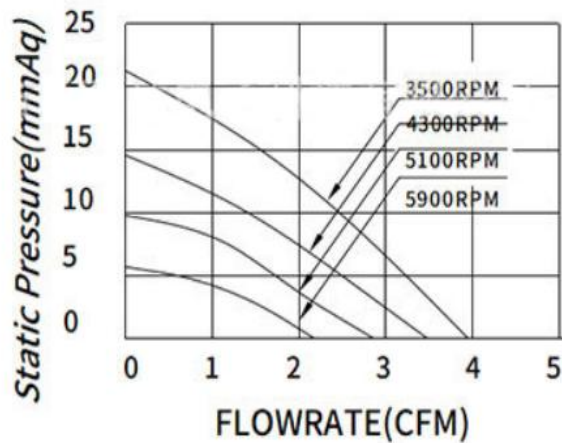
Motor:DC  
 Bearing:Ball、sleeve、Hydraulic  
 Shell frame: PBT UL94V-0  
 Fan blade: PBT UL94V-0  
 Insulation:Class B  
 Wire:AWG#26UL1007 (optional)  
 PIN1:BLACK WIRE----(-)  
 PIN2:RED WIRE----(+)



DIMENSIONS DRAWING(unit:mm)



P@Q CURVE(AT RATED VOLTAGE)



Model	Bearing Mode①	Rated	Operating	Rated	Rated	Speed	Maximum		Maximum		Noise
		Volt	voltage range	current	input power		air Flow	Air pressure	mmH2O	InH2O	
PART. NO.		VDC	VDC	Amp	Watt	R. P. M	M3/min	CFM	mmH2O	InH2O	dB-A
AG5010B05L	B=Ball S=Sleeve H=Hydraulic	5	4~5.5	0.05	0.25	3500	0.053	1.87	3.18	0.125	22.5
AG5010B05M		5	4~5.5	0.07	0.35	4500	0.068	2.40	5.64	0.222	28.0
AG5010B05H		5	4~5.5	0.12	0.60	5500	0.086	3.04	9.47	0.373	32.5
AG5010B05HH		5	4~5.5	0.16	0.80	6500	0.110	3.88	13.43	0.529	37.5
AG5010B12L		12	7~13.2	0.04	0.48	3500	0.053	1.87	3.18	0.125	22.5
AG5010B12M		12	7~13.2	0.05	0.60	4500	0.068	2.40	5.64	0.222	28.0

AG5010B12H	B=Ball	12	7~13.2	0.08	0.96	5500	0.086	3.04	9.47	0.373	32.5
AG5010B12HH	S=Sleeve H=Hydraulic	12	7~13.2	0.09	1.08	6500	0.110	3.88	13.43	0.529	37.5

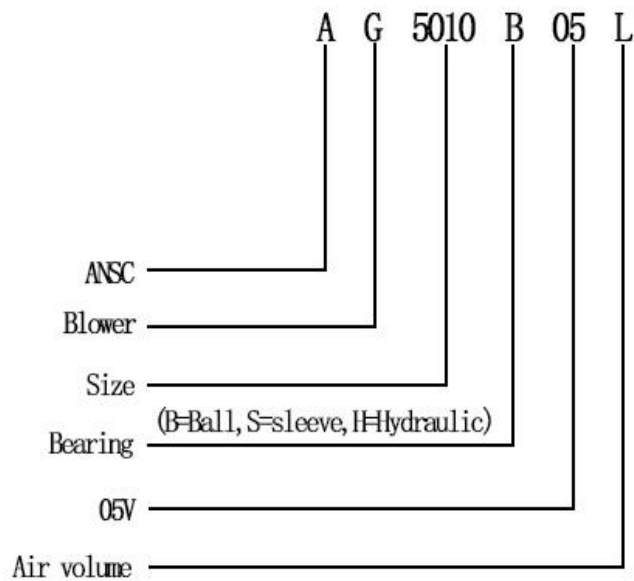
①Bearing Mode:Ball/ Sleeve/Hydraulic/Ball (UL)/Sleeve (UL)Hydraulic (UL)

②X=Function: FG RD RDL LD PWM TP VC RC CS RP SS AS CL IPX5

③A=Plug

④C=Customized by customers: Air volume, Air duct, Movement, Service life, Temperature, Noise, Material, Mold.etc.

导引： 编码规则Code Rule



\*PROPRIETARY AND CONFIDENTIAL , THE INFORMATION CONTAINED IN THIS DRAWING IS THE SOLE PROPERTY OF <ALL NEW SEMI>.  
 ANY REPRODUCTION IN PART OR AS A WHOLE WITHOUT THE WRITTEN PERMISSION OF <ALL NEW SEMI> IS PROHIBITED.

<https://allnewsemi.com>  
<https://allnewsemi.shop>