



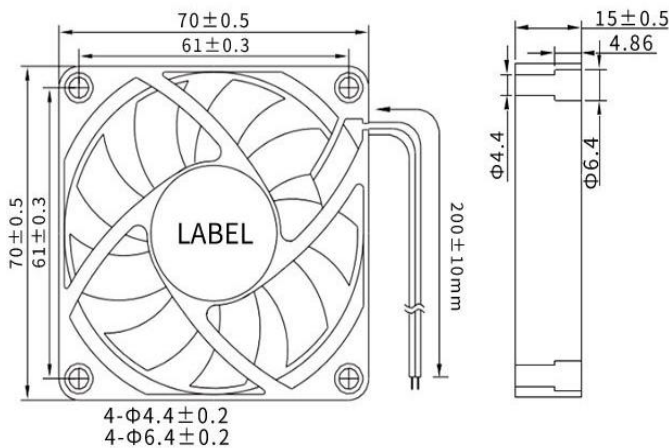
DC BRUSHLESS FAN

AF9D7015B 70*70*15mm

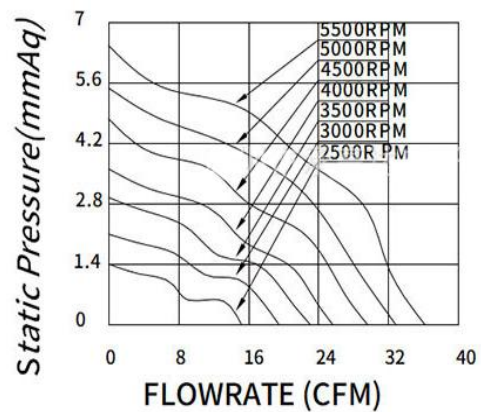
Motor:DC Brushless
 Bearing:Ball、sleeve、Hydraulic
 Shell frame: PBT UL94V-0
 Fan blade: PBT UL94V-0
 Insulation:Class B
 Wire:AWG#26UL1007 (optional)
 PIN1:BLACK WIRE----(-)
 PIN2:RED WIRE----(+)



DIMENSIONS DRAWING(unit:mm)



P@Q CURVE(AT RATED VOLTAGE)



Model	Bearing Mode①	Rate d	Operating	Rated	Rated	Speed	Maximum air Flow		Maximum Air pressure		Noise
		Volt	voltage range	current	input power		M3/min	CFM	mmH2O	InH2O	
PART. NO.		VDC	VDC	Amp	Watt	R. P. M					dB-A
AF9D7015B05VL	B=Ball S=Sleeve H=Hydraulic	5	1.8~3~6	0.1	0.48	2000	0.395	13.90	0.89	0.035	22.9
AF9D7015B12VL		12	1.8~3~13.5	0.04	0.48	2500	0.421	14.80	1.36	0.054	22.9
AF9D7015B12LL		12	1.8~3~13.5	0.06	0.72	3000	0.558	19.70	2.10	0.083	27.2
AF9D7015B12L		12	1.8~3~13.5	0.08	0.96	3500	0.652	23.00	2.92	0.115	33.3
AF9D7015B12M		12	1.8~3~13.5	0.12	1.44	4000	0.737	26.00	3.55	0.14	36.2
AF9D7015B12H		12	1.8~3~13.5	0.18	2.16	4500	0.844	29.80	4.62	0.182	38.9
AF9D7015B24VL		24	18~26.5	0.02	0.48	2500	0.421	14.80	1.36	0.054	22.9

AF9D7015B24LL	B=Ball S=Sleeve H=Hydraulic	24	18~26.5	0.03	0.72	3000	0.558	19.70	2.10	0.083	27.2
AF9D7015B24L		24	18~26.5	0.04	0.96	3500	0.652	23.00	2.92	0.115	33.3
AF9D7015B24M		24	18~26.5	0.06	1.44	4000	0.737	26.00	3.55	0.14	36.2
AF9D7015B24H		24	18~26.5	0.09	2.16	4500	0.844	29.80	4.62	0.182	38.9

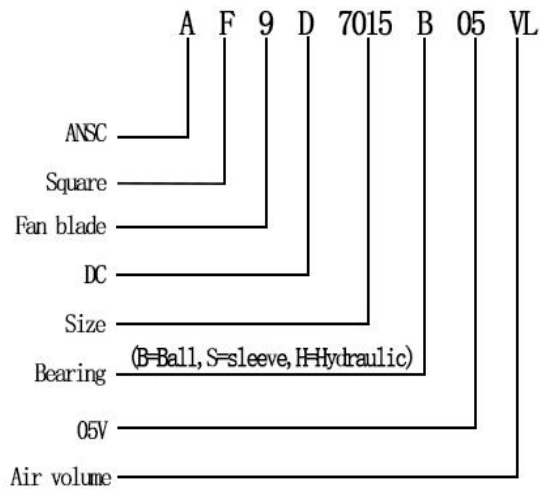
① Bearing Mode: Ball / Sleeve / Hydraulic / Ball (UL) / Sleeve (UL) Hydraulic (UL)

② X=Function: FG RD RDL LD PWM TP VC RC CS RP SS AS CL IPX5

③ A=Plug

④ C=Customized by customers: Air volume, Air duct, Movement, Service life, Temperature, Noise, Material, Mold. etc.

导引: 编码规则 Code Rule



*PROPRIETARY AND CONFIDENTIAL , THE INFORMATION CONTAINED IN THIS DRAWING IS THE SOLE PROPERTY OF <ALL NEW SEMI>. ANY REPRODUCTION IN PART OR AS A WHOLE WITHOUT THE WRITTEN PERMISSION OF <ALL NEW SEMI> IS PROHIBITED.

<https://allnewsemi.com>
<https://allnewsemi.shop>