



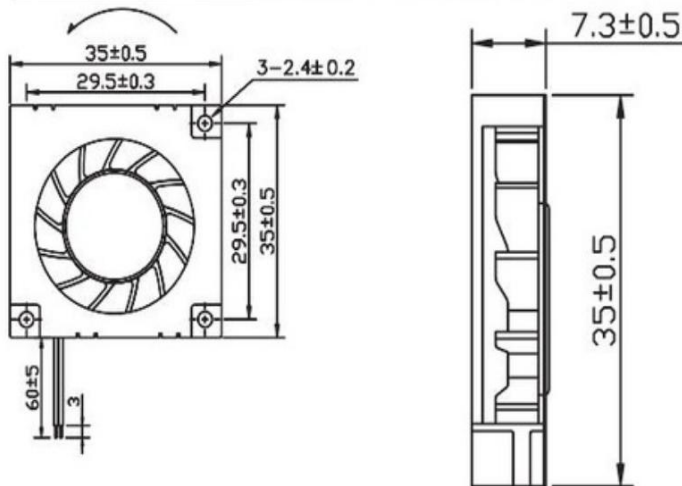
## DC BLOWER FAN

AG3507B 35\*35\*7mm

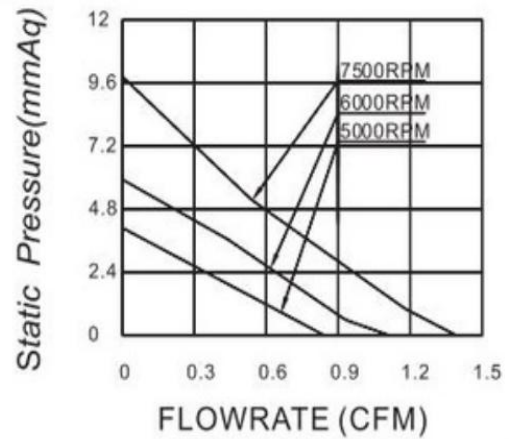
Motor:DC Blower  
 Bearing:Ball、Sleeve、Hydraulic  
 Shell frame: PBT UL94V\_0  
 Fan blade: PBT UL94V\_0  
 Insulation:Class B  
 Wire:AWG#26UL1007 (optional)  
 PIN1:BLACK WIRE---(-)  
 PIN2:RED WIRE---(+)



DIMENSIONS DRAWING(unit:mm)



P@Q CURVE(AT RATED VOLTAGE)



Model	Bearing Mode①	Rated Voltage	Operating voltage range	Rated current	Rated input power	Speed	Maximum air Flow		Maximum Air pressure		Noise
		VDC	VDC	Amp	Watt		R. P. M	m <sup>3</sup> /min	CFM	mmH2O	
PART. NO.		VDC	VDC	Amp	Watt	R. P. M	m <sup>3</sup> /min	CFM	mmH2O	InH2O	dB-A
AG3507B05LL	B=Ball S=Sleeve H=Hydraulic	5	3~6	0.08	0.4	5000	0.024	0.84	4.08	0.161	23.9
AG3507B05L		5	3~6	0.12	0.6	6000	0.031	1.11	5.92	0.233	27.2
AG3507B05M		5	3~6	0.18	0.9	7500	0.039	1.39	9.84	0.387	32.3
AG3507B12LL		12	7.5~13.5	0.033	0.4	5000	0.024	0.84	4.08	0.161	23.9
AG3507B12L		12	7.5~13.5	0.05	0.6	6000	0.031	1.11	5.92	0.233	27.2
AG3507B12M		12	7.5~13.5	0.075	0.9	7500	0.039	1.39	9.84	0.387	32.3

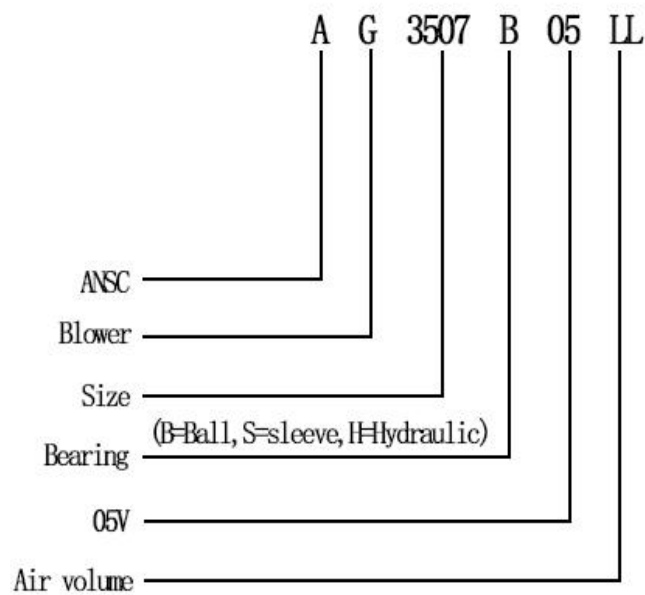
①Bearing Mode:Ball/ Sleeve/Hydraulic/Ball (UL)/Sleeve(UL)Hydraulic(UL)

②X=Function: FG RD RDL LD PWM TP VC RC CS RP SS AS CL IPX5

③A=Plug

④C=Customized by customers: Air volume, Air duct, Movement, Service life, Temperature, Noise, Material, Mold.etc.

导引： 编码规则Code Rule



\*PROPRIETARY AND CONFIDENTIAL , THE INFORMATION CONTAINED IN THIS DRAWING IS THE SOLE PROPERTY OF <ALL NEW SEMI>.

ANY REPRODUCTION IN PART OR AS A WHOLE WITHOUT THE WRITTEN PERMISSION OF <ALL NEW SEMI> IS PROHIBITED.

<https://allnewsemi.com>  
<https://allnewsemi.shop>