



EC Centrifugal FAN

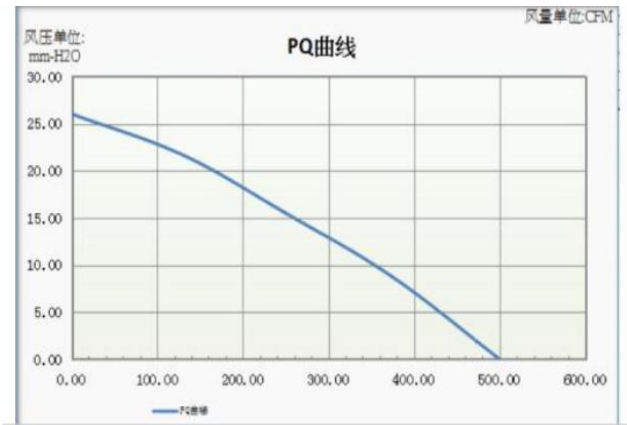
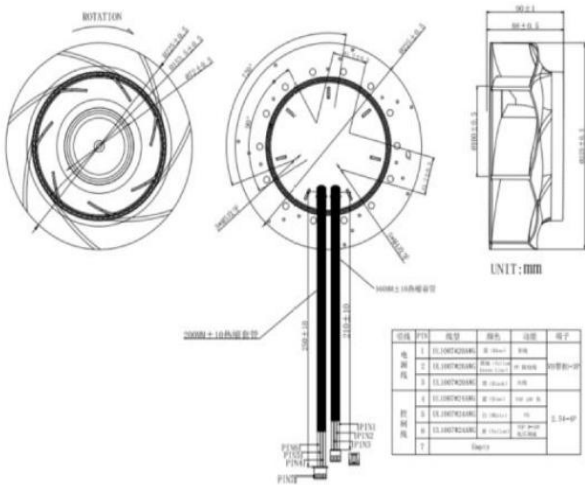
AQL22590B 225*225*90mm

Motor:EC Centrifugal
 Bearing:Two Ball
 Shell frame: PBT UL94V_0
 Fan blade: PBT UL94V_0
 Insulation:Class B
 Wire:AWG#26UL1007 (optional)
 PIN1:BLACK WIRE---(-)
 PIN2:RED WIRE---(+)



DIMENSIONS DRAWING(unit:mm)

P@Q CURVE(AT RATED VOLTAGE)



Model	Bearing Mode①	Rated Vol	Freque ncy	Rated current	Rated input power	Speed	Maximum air Flow		Maximum Air pressure		Noise
		VAC	HZ	Amp	Watt		R. P. M	M3/min	CFM	mmH20	
PART. NO.											
AQL22590B110H	B=Ball S=Sleeve H=Hydraulic	110	50/60	0.44	30.00	1500	10.160	358.92	16.85	0.664	59.10
AQL22590B110HH		110	50/60	0.80	55.00	2000	14.160	500.32	26.03	1.026	69.00
AQL22590B220H		220	50/60	0.22	30.00	1500	10.160	358.92	16.85	0.664	59.10
AQL22590B220HH		220	50/60	0.40	55.00	2000	14.160	500.32	26.03	1.026	69.00

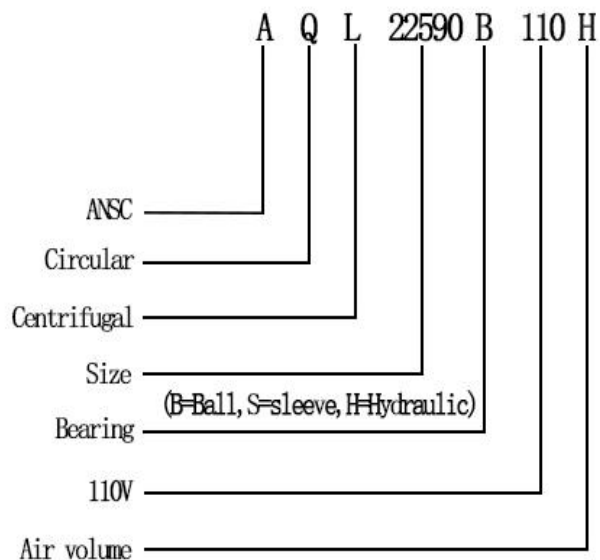
①Bearing Mode:Ball/ Sleeve/Hydraulic/Ball (UL)/Sleeve (UL)Hydraulic (UL)

②X=Function: FG RD RDL LD PWM TP VC RC CS RP SS AS CL IPX5

③A=Plug

④C=Customized by customers: Air volume, Air duct, Movement, Service life, Temperature, Noise, Material, Mold. etc.

导引： 编码规则Code Rule



*PROPRIETARY AND CONFIDENTIAL , THE INFORMATION CONTAINED IN THIS DRAWING IS THE SOLE PROPERTY OF <ALL NEW SEMI>.
ANY REPRODUCTION IN PART OR AS A WHOLE WITHOUT THE WRITTEN PERMISSION OF <ALL NEW SEMI> IS PROHIBITED.

<https://allnewsemi.com>
<https://allnewsemi.shop>