



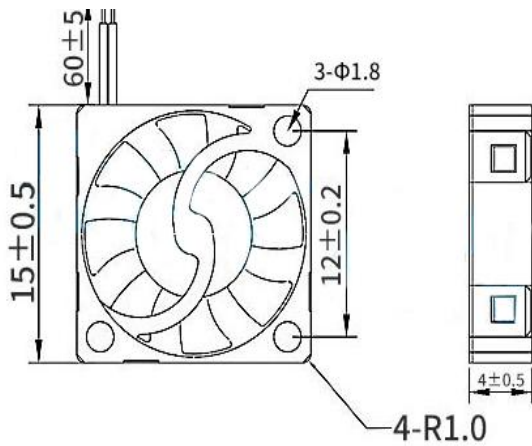
## DC BRUSHLESS FAN

AF8D1504H 15\*15\*4mm

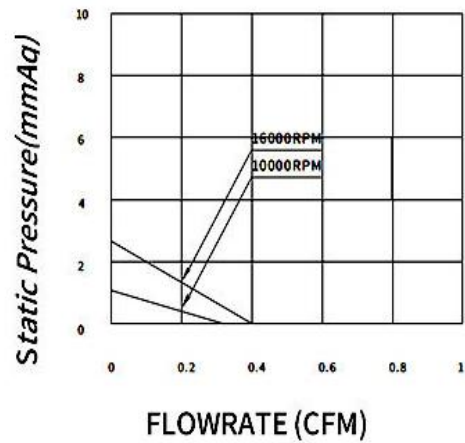
Motor:DC Brushless  
 Bearing:Hydraulic  
 Shell frame: PBT UL94V-0  
 Fan blade: PBT UL94V-0  
 Insulation:Class B  
 Wire:AWG#26UL1007 (optional)  
 PIN1:BLACK WIRE----(-)  
 PIN2:RED WIRE----(+)



**DIMENSIONS DRAWING(unit:mm)**



**P@Q CURVE(AT RATED VOLTAGE)**



Model	Bearing Mode①	Rated Volt	Operating VDC	Rated curr	Rated input	Speed R. P. M	Maximum air Flow		Maximum Air pressure		Noise dB-A
		VDC	VDC	Amp	Watt		M3/min	CFM	mmH2O	InH2O	
PART. NO.											
AF8D1504H3.3LX-A	B=Ball S=Sleeve H=Hydraulic	3.3	2~6	0.03	0.10	10000	0.009	0.30	1.50	0.376	<25
AF8D1504H05LX-A		5	2~6	0.1	0.20	16000	0.011	0.40	2.80	0.12	<35

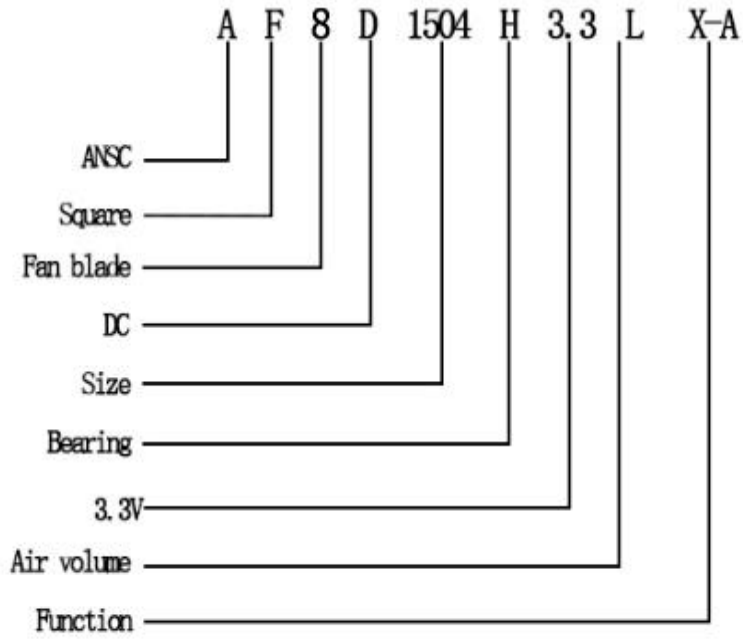
①Bearing Mode:Ball/ Sleeve/Hydraulic/Ball (UL)/Sleeve (UL)Hydraulic (UL)

②X=Function: FG RD RDL LD PWM TP VC RC CS RP SS AS CL IPX5

③A=Plug

④C=Customized by customers: Air volume, Air duct, Movement, Service life, Temperature, Noise, Material, Mold. etc.

导引：编码规则Code Rule



\*PROPRIETARY AND CONFIDENTIAL , THE INFORMATION CONTAINED IN THIS DRAWING IS THE SOLE PROPERTY OF <ALL NEW SEMI>.  
ANY REPRODUCTION IN PART OR AS A WHOLE WITHOUT THE WRITTEN PERMISSION OF <ALL NEW SEMI> IS PROHIBITED.

<https://allnewsemi.com>  
<https://allnewsemi.shop>