



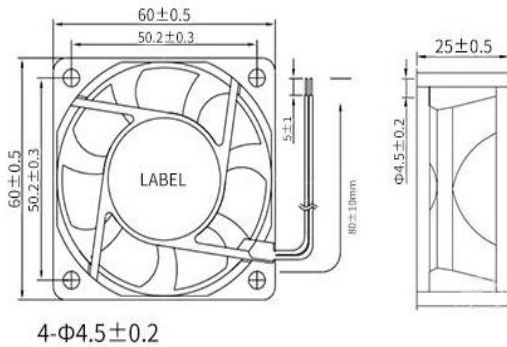
## EC Brushless FAN

AF7E6025B 60\*60\*25mm

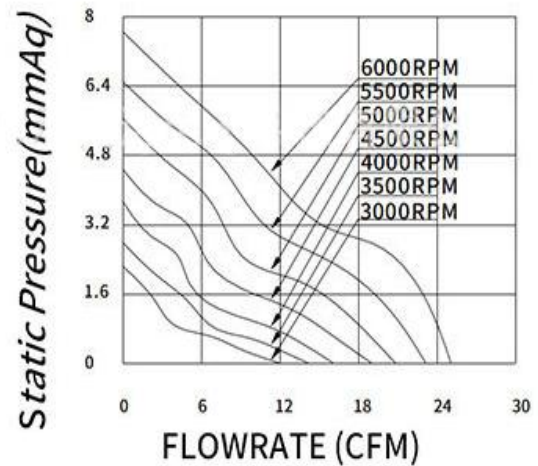
Motor:EC Brushless  
 Bearing:Ball  
 Shell frame: PBT UL94V\_0  
 Fan blade: PBT UL94V\_0  
 Insulation:Class B  
 Wire:AWG#26UL1007 (optional)  
 PIN1:BLACK WIRE----(-)  
 PIN2:RED WIRE----(+)



DIMENSIONS DRAWING(unit:mm)



P@Q CURVE(AT RATED VOLTAGE)



Model	Bearing Mode①	Rated Vol	Freque ncy	Rated current	Rated input power	Speed	Maximum air Flow		Maximum Air pressure		Noise
		VDC	VDC	Amp	Watt		R. P. M	M3/min	CFM	mmH2O	
PART. NO.		VDC	VDC	Amp	Watt	R. P. M	M3/min	CFM	mmH2O	InH2O	dB-A
AF7E6025B220L	B=Ball S=Sleeve H=Hydraulic	220	80~230	0.05	1.2	3000	0.349	12.3	2.12	0.083	24.2
AF7E6025B220M		220	80~230	0.075	1.8	3500	0.401	14.1	2.84	0.112	27.4
AF7E6025B220H		220	80~230	0.1	2.4	4000	0.464	16.3	3.69	0.145	29.8
AF7E6025B220HH		220	80~230	0.125	3	4500	0.529	18.6	4.61	0.181	34.3
AF7E6025B220MV		220	80~230	0.15	3.6	5000	0.592	20.9	5.69	0.224	35.8
AF7E6025B220VM		220	80~230	0.175	4.2	5500	0.64	22.5	6.68	0.263	38

AF7E6025B220HV	B=Ball S=Sleeve H=Hydraulic	220	80~230	0.19	4.56	6000	0.707	24.9	7.85	0.309	42.6
----------------	-----------------------------------	-----	--------	------	------	------	-------	------	------	-------	------

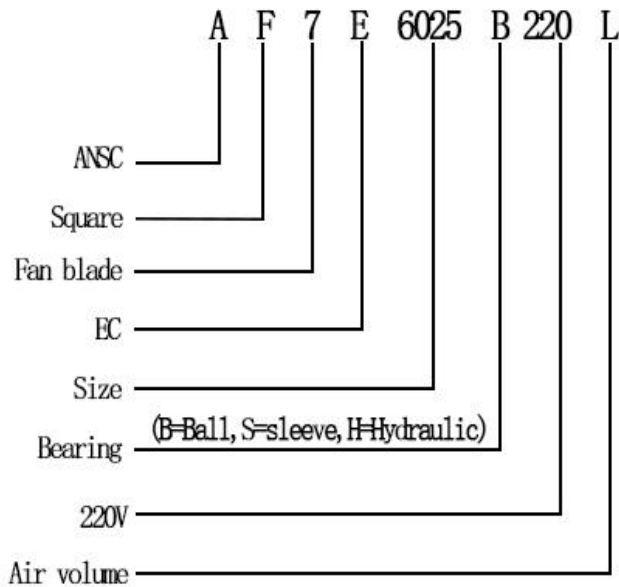
① Bearing Mode: Ball/ Sleeve/ Hydraulic/ Ball (UL)/ Sleeve (UL) Hydraulic (UL)

② X=Function: FG RD RDL LD PWM TP VC RC CS RP SS AS CL IPX5

③ A=Plug

④ C=Customized by customers: Air volume, Air duct, Movement, Service life, Temperature, Noise, Material, Mold. etc.

导引： 编码规则 Code Rule



\*PROPRIETARY AND CONFIDENTIAL , THE INFORMATION CONTAINED IN THIS DRAWING IS THE SOLE PROPERTY OF <ALL NEW SEMI>. ANY REPRODUCTION IN PART OR AS A WHOLE WITHOUT THE WRITTEN PERMISSION OF <ALL NEW SEMI> IS PROHIBITED.

<https://allnewsemi.com>  
<https://allnewsemi.shop>