



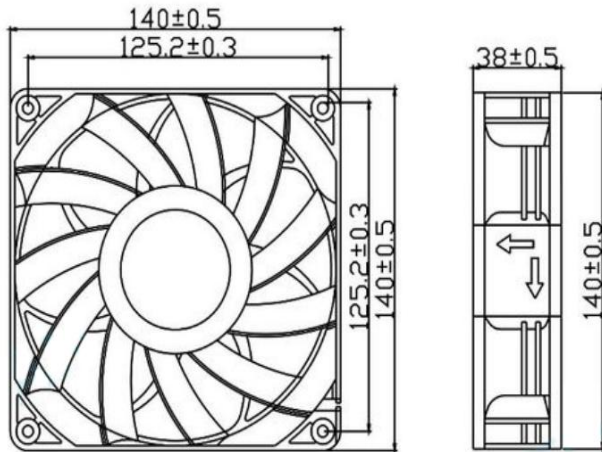
## DC BRUSHLESS FAN

**AF7D14038B 140\*140\*38mm**

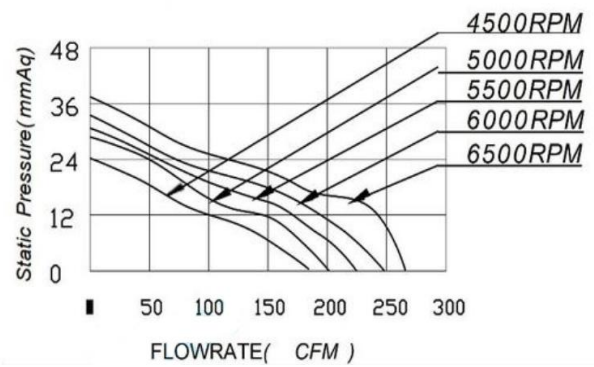
Motor:DC Brushless  
 Bearing:Two Ball、Sleeve、Hydraulic  
 Shell frame: PBT UL94V-0  
 Fan blade: PBT UL94V-0  
 Insulation:Class B  
 Wire:AWG#26UL1007 (optional)  
 PIN1:BLACK WIRE---(-)  
 PIN2:RED WIRE---(+)



**DIMENSIONS DRAWING(unit:mm)**



**P@Q CURVE(AT RATED VOLTAGE)**



UNIT:  $\frac{\text{mm}}{\text{INCH}}$

Model	Bearing Mode①	Rated	Operating	Rated	Rated	Speed	Maximum		Maximum		Noise
		Volt	voltage range	current	input power		air Flow	Air pressure	mmH2O	InH2O	
PART. NO.		VDC	VDC	Amp	Watt	R. P. M	M3/min	CFM	mmH2O	InH2O	dB-A
AF7D14038B12L	B=Ball S=Sleeve H=Hydraulic	12	7.5~13.5	3.4	40.8	4500	5.223	184.55	24.37	0.959	63.2
AF7D14038B12M		12	7.5~13.5	5.1	61.2	5000	5.910	208.85	28.95	1.140	65.7
AF7D14038B12H		12	7.5~13.5	6.2	74.4	5500	6.404	226.3	30.86	1.215	69.3
AF7D14038B12HH		12	7.5~13.5	8.0	96	6000	7.028	248.33	33.6	1.323	71
AF7D14038B12VH		12	7.5~13.5	8.2	98.4	6500	7.531	266.11	37.58	1.480	74
AF7D14038B24L		24	7.5~13.5	1.65	39.6	4500	5.223	184.55	24.37	0.959	63.2

AF7D14038B24M	B=Ball S=Sleeve H=Hydraulic	24	7.5~13.5	2.6	62.18	5000	5.910	208.85	28.95	1.140	65.7
AF7D14038B24H		24	7.5~13.5	3.0	72	5500	6.404	226.3	30.86	1.215	69.3
AF7D14038B24HH		24	7.5~13.5	3.8	91.2	6000	7.028	248.33	33.6	1.323	71
AF7D14038B24VH		24	7.5~13.5	4.11	98.64	6500	7.531	266.11	37.58	1.480	74
AF7D14038B48L		48	7.5~13.5	0.9	43.28	4500	5.223	184.55	24.37	0.959	63.2
AF7D14038B48M		48	7.5~13.5	1.31	62.88	5000	5.910	208.85	28.95	1.140	65.7
AF7D14038B48H		48	7.5~13.5	1.5	72	5500	6.404	226.3	30.86	1.215	69.3
AF7D14038B48HH		48	7.5~13.5	1.8	86.4	6000	7.028	248.33	33.6	1.323	71
AF7D14038B48VH		48	7.5~13.5	2.0	96	6500	7.531	266.11	37.58	1.480	74

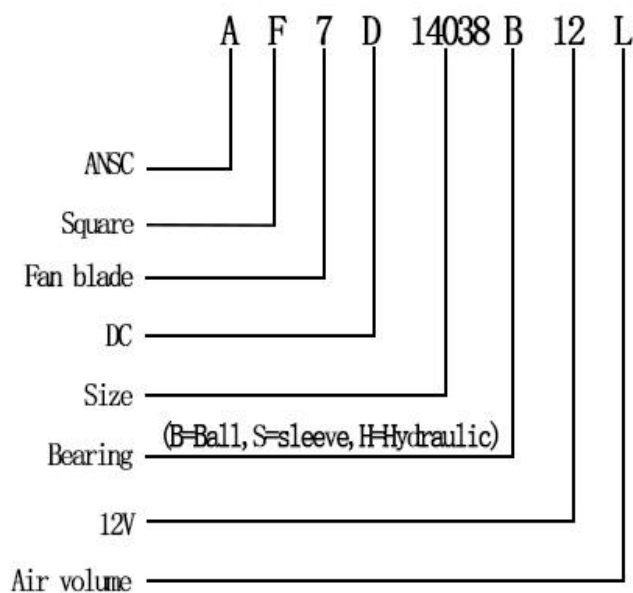
①Bearing Mode:Ball/ Sleeve/Hydraulic/Ball (UL)/Sleeve (UL)Hydraulic (UL)

②X=Function: FG RD RDL LD PWM TP VC RC CS RP SS AS CL IPX5

③A=Plug

④C=Customized by customers: Air volume, Air duct, Movement,Service life, Temperature, Noise, Material, Mold.etc.

导引： 编码规则Code Rule



\*PROPRIETARY AND CONFIDENTIAL , THE INFORMATION CONTAINED IN THIS DRAWING IS THE  
SOLE PROPERTY OF <ALL NEW SEMI>.  
ANY REPRODUCTION IN PART OR AS A WHOLE WITHOUT THE WRITTEN PERMISSION OF  
<ALL NEW SEMI> IS PROHIBITED.

<https://allnewsemi.com>  
<https://allnewsemi.shop>