



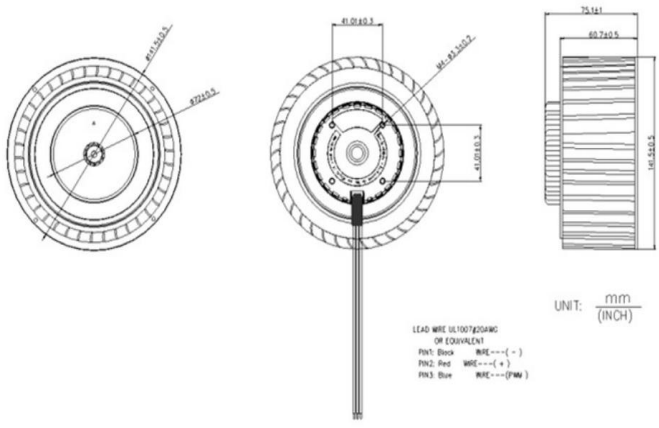
DC Centrifugal FAN

AQL14075B 140*75mm

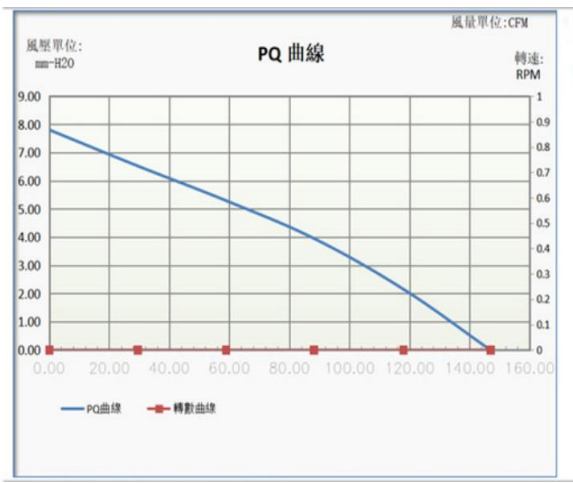
Motor:DC Centrifugal
 Bearing:Two Ball
 Shell frame: PBT UL94V_0
 Fan blade: PBT UL94V_0
 Insulation:Class B
 Wire:AWG#26UL1007 (optional)
 PIN1:BLACK WIRE---(-)
 PIN2:RED WIRE---(+)



DIMENSIONS DRAWING(unit:mm)



P@Q CURVE(AT RATED VOLTAGE)



Model	Bearing Mode①	Rated Vol	Freque ncy	Rated current	Rated input power	Speed	Maximum air Flow		Maximum Air pressure		Noise
		VDC	VDC	Amp	Watt		R. P. M	M3/min	CFM	mmH20	
PART. NO.		VDC	VDC	Amp	Watt	R. P. M	M3/min	CFM	mmH20	lnH20	dB-A
AQL14075B12M	B=Ball S=Sleeve H=Hydraulic	12	7~13.5	2.70	32.40	1500	2.458	86.88	2.60	25.50	48
AQL14075B12H		12	7~13.5	5.00	60.00	2500	4.158	146.96	7.81	76.61	55
AQL14075B24M		24	18~26.5	1.35	32.40	1500	2.458	86.88	2.60	25.50	48
AQL14075B24H		24	18~26.5	2.50	60.00	2500	4.158	146.96	7.81	76.61	55
AQL14075B48M		48	36~54	0.65	32.40	1500	2.458	86.88	2.60	25.50	48
AQL14075B48H		48	36~54	1.25	60.00	2500	4.158	146.96	7.81	76.61	55

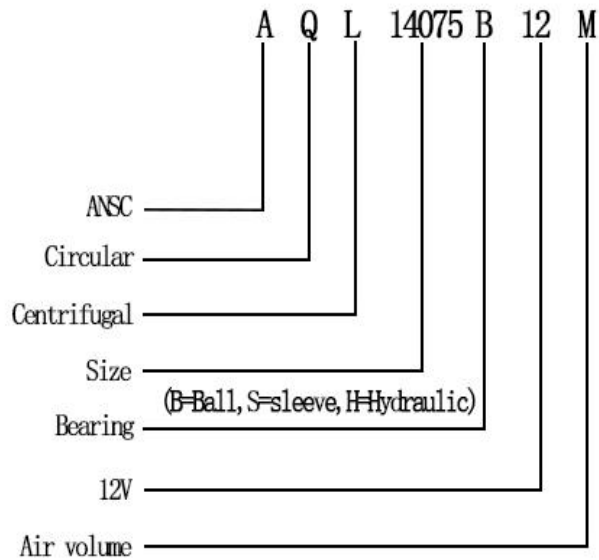
① Bearing Mode: Ball/ Sleeve/ Hydraulic/ Ball (UL) / Sleeve (UL) Hydraulic (UL)

② X=Function: FG RD RDL LD PWM TP VC RC CS RP SS AS CL IPX5

③ A=Plug

④ C=Customized by customers: Air volume, Air duct, Movement, Service life, Temperature, Noise, Material, Mold. etc.

导引: 编码规则 Code Rule



*PROPRIETARY AND CONFIDENTIAL , THE INFORMATION CONTAINED IN THIS DRAWING IS THE SOLE PROPERTY OF <ALL NEW SEMI>. ANY REPRODUCTION IN PART OR AS A WHOLE WITHOUT THE WRITTEN PERMISSION OF <ALL NEW SEMI> IS PROHIBITED.

<https://allnewsemi.com>
<https://allnewsemi.shop>