



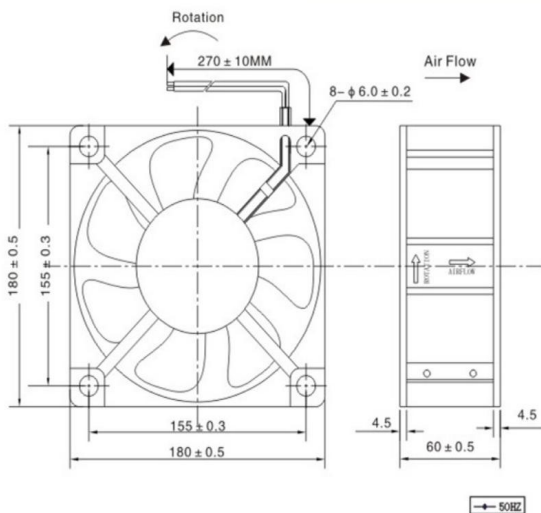
AC BRUSHLESS FAN

AF7A18065B 180*180*65mm

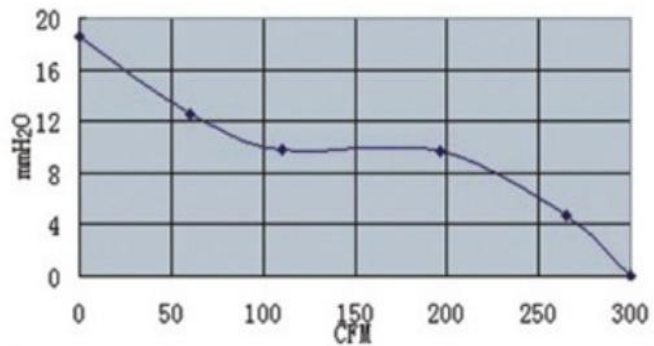
Motor: AC Brushless
 Bearing: Dual Ball
 Shell frame: Aluminum Alloy
 Fan blade: PBT UL94V_0
 Insulation: Class B
 Wire: AWG#26UL1007 (optional)
 PIN1: BLACK WIRE---(-)
 PIN2: RED WIRE---(+)



DIMENSIONS DRAWING(unit:mm)



P@Q CURVE(AT RATED VOLTAGE)



Model	Bearing Mode①	Rated Voltage	Operating voltage	Rated current	Rated input power	Speed	Maximum air Flow		Maximum Air pressure		Noise
		VAC	VAC	Amp	Watt		R. P. M	M3/min	CFM	mmH ₂ O	
PART. NO.											
AF7A18065B110H	B=Ball S=Sleeve H=Hydraulic	110	100~125	0.32/0.42	48	2850	/	420	/	1.20	56
AF7A18065B220H		220	220~240	0.22/0.24	52	3200	/	480	/	1.20	60

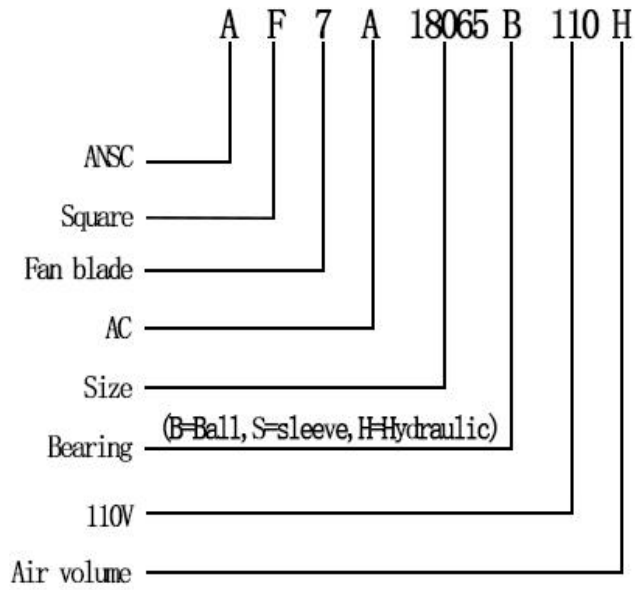
①Bearing Mode:Ball/ Sleeve/Hydraulic/Ball (UL)/Sleeve (UL)Hydraulic (UL)

②X=Function: FG RD RDL LD PWM TP VC RC CS RP SS AS CL IPX5

③A=Plug

④C=Customized by customers: Air volume, Air duct, Movement, Service life, Temperature, Noise, Material, Mold.etc.

导引：编码规则Code Rule



*PROPRIETARY AND CONFIDENTIAL , THE INFORMATION CONTAINED IN THIS DRAWING IS THE SOLE PROPERTY OF <ALL NEW SEMI>. ANY REPRODUCTION IN PART OR AS A WHOLE WITHOUT THE WRITTEN PERMISSION OF <ALL NEW SEMI> IS PROHIBITED.

<https://allnewsemi.com>
<https://allnewsemi.shop>