



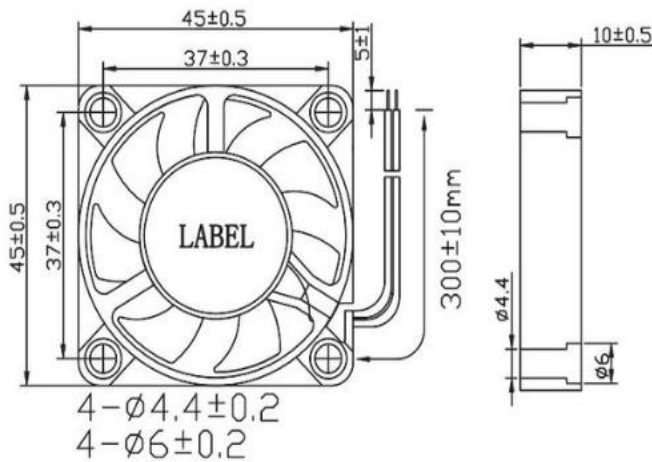
## DC BRUSHLESS FAN

**AF7D4510B 45\*45\*10mm**

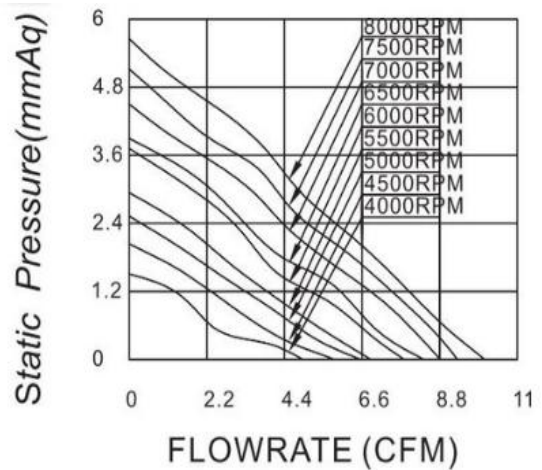
Motor:DC Brushless  
 Bearing:Ball、Sleeve、Hydraulic  
 Shell frame: PBT UL94V-0  
 Fan blade: PBT UL94V-0  
 Insulation:Class B  
 Wire:AWG#26UL1007 (optional)  
 PIN1:BLACK WIRE---(-)  
 PIN2:RED WIRE---(+)



**DIMENSIONS DRAWING(unit:mm)**



**P@Q CURVE(AT RATED VOLTAGE)**



| Model         | Bearing Mode①                     | Rated Voltage | Operating voltage range | Rated current | Rated input power | Speed | Maximum air Flow |        | Maximum Air pressure |       | Noise |
|---------------|-----------------------------------|---------------|-------------------------|---------------|-------------------|-------|------------------|--------|----------------------|-------|-------|
|               |                                   | VDC           | VDC                     | Amp           | Watt              |       | R. P. M          | M3/min | CFM                  | mmH2O |       |
| PART. NO.     |                                   |               |                         |               |                   |       |                  |        |                      |       |       |
| AF7D4510B05VL | B=Ball<br>S=Sleeve<br>H=Hydraulic | 5             | 1.8~3~6                 | 0.1           | 0.48              | 4000  | 0.167            | 5.19   | 1.61                 | 0.063 | 24.3  |
| AF7D4510B05LL |                                   | 5             | 1.8~3~6                 | 0.12          | 0.6               | 4500  | 0.153            | 5.41   | 2.06                 | 0.081 | 28.1  |
| AF7D4510B05L  |                                   | 5             | 1.8~3~6                 | 0.144         | 0.72              | 5000  | 0.183            | 6.46   | 2.5                  | 0.098 | 30.2  |
| AF7D4510B05LM |                                   | 5             | 1.8~3~6                 | 0.192         | 0.96              | 5500  | 0.195            | 6.88   | 2.92                 | 0.115 | 33.9  |
| AF7D4510B05M  |                                   | 5             | 1.8~3~6                 | 0.24          | 1.2               | 6000  | 0.223            | 7.87   | 3.69                 | 0.145 | 36.3  |
| AF7D4510B05H  |                                   | 5             | 1.8~3~6                 | 0.264         | 1.32              | 6500  | 0.233            | 8.24   | 3.89                 | 0.153 | 37.3  |

|               |                                   |    |          |      |      |      |       |      |      |       |      |
|---------------|-----------------------------------|----|----------|------|------|------|-------|------|------|-------|------|
| AF7D4510B05HH | B=Ball<br>S=Sleeve<br>H=Hydraulic | 5  | 1.8~3~6  | 0.31 | 1.56 | 7000 | 0.250 | 8.85 | 4.5  | 0.177 | 39.3 |
| AF7D4510B12VL |                                   | 12 | 8.5~13.5 | 0.04 | 0.48 | 4000 | 0.167 | 5.19 | 1.61 | 0.063 | 24.3 |
| AF7D4510B12LL |                                   | 12 | 8.5~13.5 | 0.05 | 0.6  | 4500 | 0.153 | 5.41 | 2.06 | 0.081 | 28.1 |
| AF7D4510B12L  |                                   | 12 | 8.5~13.5 | 0.06 | 0.72 | 5000 | 0.183 | 6.46 | 2.5  | 0.098 | 30.2 |
| AF7D4510B12LM |                                   | 12 | 8.5~13.5 | 0.08 | 0.96 | 5500 | 0.195 | 6.88 | 2.92 | 0.115 | 33.9 |
| AF7D4510B12M  |                                   | 12 | 8.5~13.5 | 0.1  | 1.2  | 6000 | 0.223 | 7.87 | 3.69 | 0.145 | 36.3 |
| AF7D4510B12H  |                                   | 12 | 8.5~13.5 | 0.11 | 1.32 | 6500 | 0.233 | 8.24 | 3.89 | 0.153 | 37.3 |
| AF7D4510B12HH |                                   | 12 | 8.5~13.5 | 0.13 | 1.56 | 7000 | 0.250 | 8.85 | 4.5  | 0.177 | 39.3 |

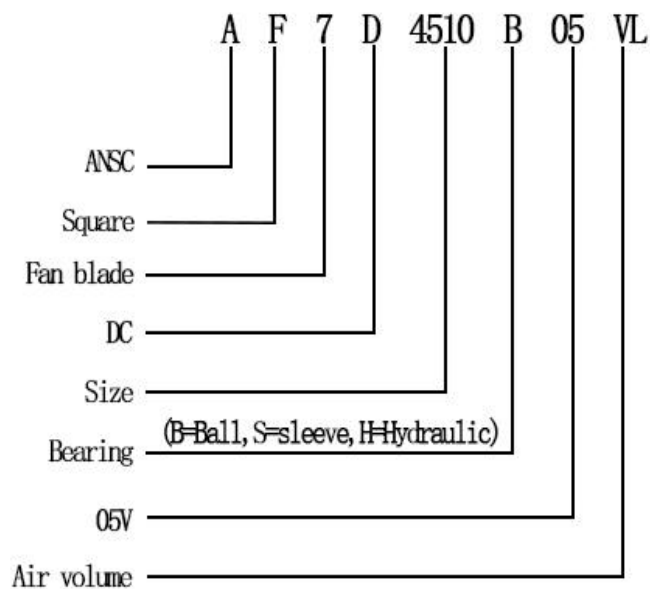
① Bearing Mode: Ball/ Sleeve/ Hydraulic/ Ball (UL)/ Sleeve (UL) Hydraulic (UL)

② X=Function: FG RD RDL LD PWM TP VC RC CS RP SS AS CL IPX5

③ A=Plug

④ C=Customized by customers: Air volume, Air duct, Movement, Service life, Temperature, Noise, Material, Mold. etc.

导引: 编码规则 Code Rule



\*PROPRIETARY AND CONFIDENTIAL , THE INFORMATION CONTAINED IN THIS DRAWING IS THE SOLE PROPERTY OF <ALL NEW SEMI>. ANY REPRODUCTION IN PART OR AS A WHOLE WITHOUT THE WRITTEN PERMISSION OF <ALL NEW SEMI> IS PROHIBITED.

<https://allnewsemi.com>  
<https://allnewsemi.shop>