



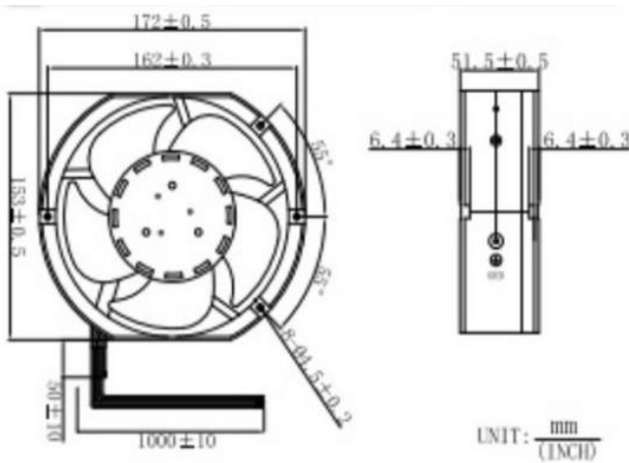
## DC BRUSHLESS FAN

**AQ7D17251S 172\*172\*51mm**

Motor:DC Brushless  
 Bearing:Sleeve、Hydraulic  
 Shell frame: PBT UL94V-0  
 Fan blade: PBT UL94V-0  
 Insulation:Class B  
 Wire:AWG#26UL1007 (optional)  
 PIN1:BLACK WIRE---(-)  
 PIN2:RED WIRE---(+)

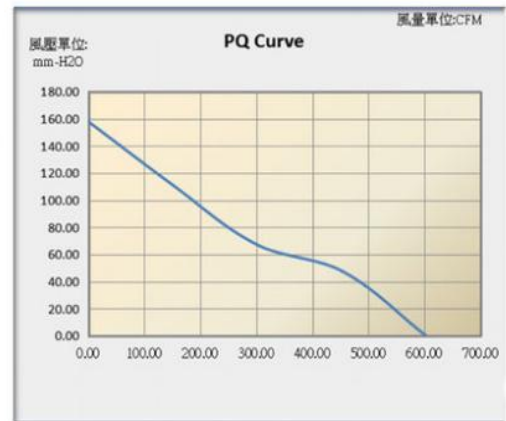


**DIMENSIONS DRAWING(unit:mm)**



**P@Q CURVE(AT RATEDVOLTAGE)**

Static Pressure(mmAq)



FLOWRATE (CFM)

Model	Bearing Mode①	Rated Voltage	Operating voltage	Rated current	Rated input power	Speed	Maximum air Flow		Maximum Air pressure		Noise
		VDC	VDC	Amp	Watt		R. P. M	M3/min	CFM	mmH2O	
PART. NO.											
AQ7D17251S12VH	B=Ball S=Sleeve H=Hydraulic	12	7.5~13.5	14	168	10000	17.07	603.20	158.02	6.22	70
AQ7D17251S24VH		24	18~26.5	7.0	168	10000	17.07	603.20	158.02	6.22	70
AQ7D17251S48VH		48	36~54	3.5	168	10000	17.07	603.20	158.02	6.22	70

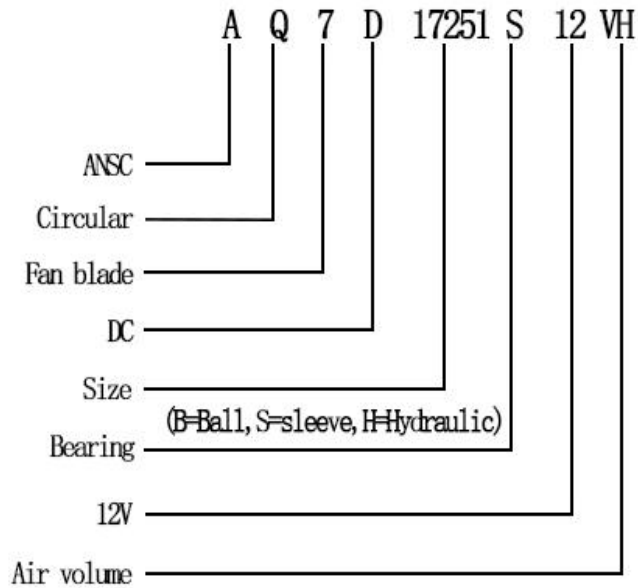
①Bearing Mode:Ball/ Sleeve/Hydraulic/Ball (UL)/Sleeve (UL)Hydraulic (UL)

②X=Function: FG RD RDL LD PWM TP VC RC CS RP SS AS CL IPX5

③A=Plug

④C=Customized by customers: Air volume, Air duct, Movement, Service life, Temperature, Noise, Material, Mold. etc.

导引： 编码规则Code Rule



\*PROPRIETARY AND CONFIDENTIAL , THE INFORMATION CONTAINED IN THIS DRAWING IS THE SOLE PROPERTY OF <ALL NEW SEMI>.  
ANY REPRODUCTION IN PART OR AS A WHOLE WITHOUT THE WRITTEN PERMISSION OF <ALL NEW SEMI> IS PROHIBITED.

<https://allnewsemi.com>  
<https://allnewsemi.shop>