



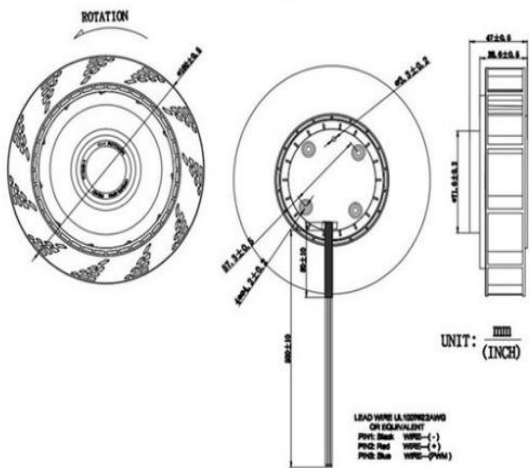
DC Centrifugal FAN

AQL16050B 160*160*50mm

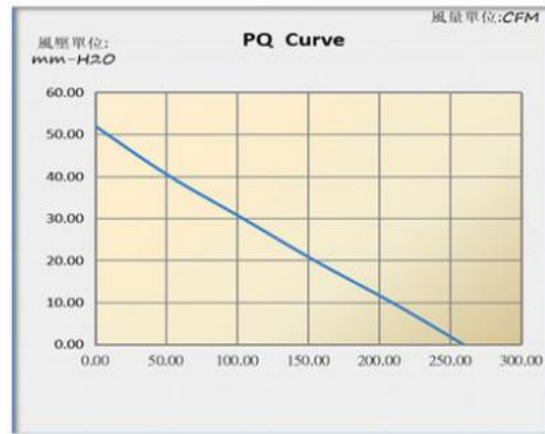
Motor:DC Centrifugal
 Bearing:Two Ball
 Shell frame: PBT UL94V_0
 Fan blade: PBT UL94V_0
 Insulation:Class B
 Wire:AWG#26UL1007 (optional)
 PIN1:BLACK WIRE----(-)
 PIN2:RED WIRE----(+)



DIMENSIONS DRAWING(unit:mm)



P@Q CURVE(AT RATED VOLTAGE)



Model	Bearing Mode①	Rated Vol	Freque ncy	Rated current	Rated input power	Speed	Maximum air Flow		Maximum Air pressure		Noise
		VDC	VDC	Amp	Watt		R. P. M	M3/min	CFM	mmH2O	
PART. NO.		VDC	VDC	Amp	Watt	R. P. M	M3/min	CFM	mmH2O	InH2O	dB-A
AQL16050B24L	B=Ball S=Sleeve H=Hydraulic	24	18~26.5	0.98	23.50	2500	5.191	183.44	24.16	0.951	62
AQL16050B24M		24	18~26.5	1.25	30.00	3000	6.031	213.13	32.68	1.286	65
AQL16050B24H		24	18~26.5	1.60	38.40	3800	7.339	259.34	51.96	2.045	70
AQL16050B48L		48	35~52.5	0.49	23.50	2500	5.191	183.44	24.16	0.951	62
AQL16050B48M		48	35~52.5	0.62	30.00	3000	6.031	213.13	32.68	1.286	65
AQL16050B48H		48	35~52.5	0.80	38.40	3800	7.339	259.34	51.96	2.045	70

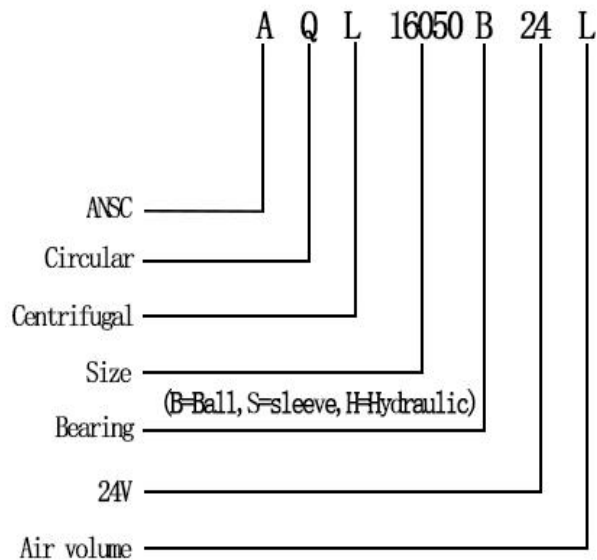
①Bearing Mode:Ball/ Sleeve/Hydraulic/Ball (UL)/Sleeve(UL)Hydraulic(UL)

②X=Function: FG RD RDL LD PWM TP VC RC CS RP SS AS CL IPX5

③A=Plug

④C=Customized by customers: Air volume, Air duct, Movement, Service life, Temperature, Noise, Material, Mold.etc.

导引： 编码规则Code Rule



*PROPRIETARY AND CONFIDENTIAL , THE INFORMATION CONTAINED IN THIS DRAWING IS THE SOLE PROPERTY OF <ALL NEW SEMI>.
ANY REPRODUCTION IN PART OR AS A WHOLE WITHOUT THE WRITTEN PERMISSION OF <ALL NEW SEMI> IS PROHIBITED.

<https://allnewsemi.com>
<https://allnewsemi.shop>