



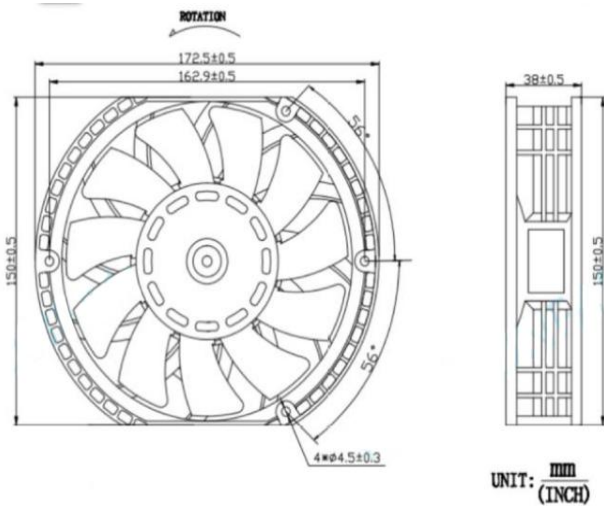
## DC BRUSHLESS FAN

**AQ11D17238B 172\*150\*38mm**

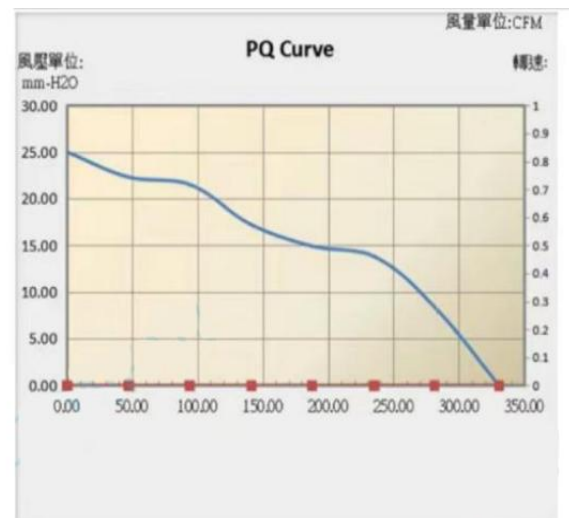
Motor:DC Brushless  
 Bearing:Two Ball、Sleeve、Hydraulic  
 Shell frame: PBT UL94V-0  
 Fan blade: PBT UL94V-0  
 Insulation:Class B  
 Wire:AWG#26UL1007 (optional)  
 PIN1:BLACK WIRE----(-)  
 PIN2:RED WIRE----(+)



**DIMENSIONS DRAWING(unit:mm)**



**P@Q CURVE(AT RATED VOLTAGE)**



Model	Bearing Mode①	Rated Volt	Operating voltage range	Rated current	Rated input power	Speed	Maximum air Flow		Maximum Air pressure		Noise
		VDC	VDC	Amp	Watt		R. P. M	M3/min	CFM	mmH2O	
PART. NO.		VDC	VDC	Amp	Watt	R. P. M	M3/min	CFM	mmH2O	InH2O	dB-A
AQ11D17238B12M	B=Ball S=Sleeve H=Hydraulic	12	7.5~13.5	1.40	16.8	2000	5.055	178.63	8.30	0.326	46
AQ11D17238B12H		12	7.5~13.5	3.20	38.4	3600	9.353	330.50	25.1	0.984	61
AQ11D17238B24M		24	18~26.5	0.70	16.8	2000	5.055	178.63	8.30	0.326	46
AQ11D17238B24H		24	18~26.5	1.60	38.4	3600	9.353	330.50	25.1	0.984	61
AQ11D17238B48M		48	36~54	0.35	16.8	2000	5.055	178.63	8.30	0.326	46
AQ11D17238B48H		48	36~54	0.80	38.4	3600	9.353	330.50	25.1	0.984	61

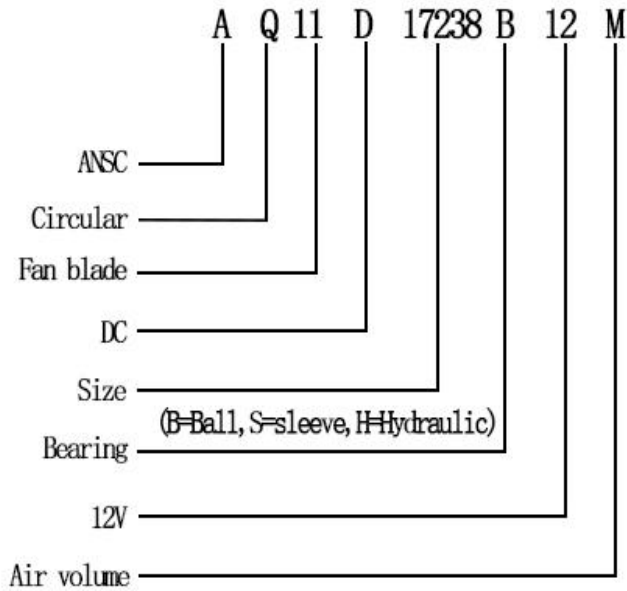
① Bearing Mode: Ball / Sleeve / Hydraulic / Ball (UL) / Sleeve (UL) Hydraulic (UL)

② X=Function: FG RD RDL LD PWM TP VC RC CS RP SS AS CL IPX5

③ A=Plug

④ C=Customized by customers: Air volume, Air duct, Movement, Service life, Temperature, Noise, Material, Mold. etc.

导引: 编码规则 Code Rule



\*PROPRIETARY AND CONFIDENTIAL , THE INFORMATION CONTAINED IN THIS DRAWING IS THE SOLE PROPERTY OF <ALL NEW SEMI>.  
ANY REPRODUCTION IN PART OR AS A WHOLE WITHOUT THE WRITTEN PERMISSION OF <ALL NEW SEMI> IS PROHIBITED.

<https://allnewsemi.com>  
<https://allnewsemi.shop>