



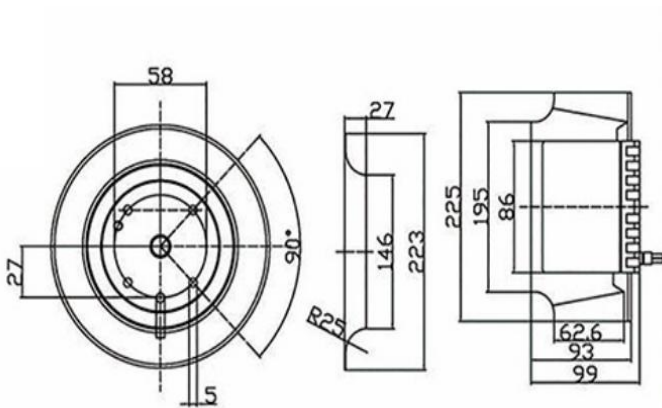
DC Centrifugal FAN

AQL22599B 225*99MM

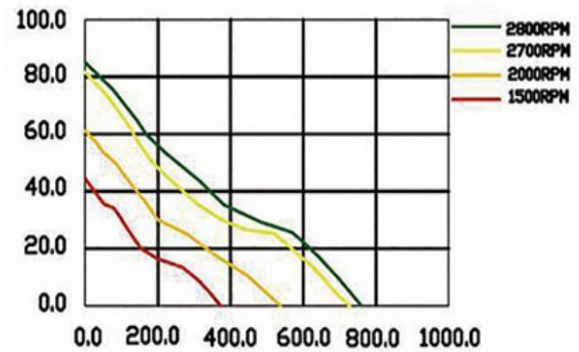
Motor:DC Centrifugal
 Bearing:Two Ball
 Shell frame: Aluminum
 Fan blade: PBT UL94V_0
 Insulation:Class B
 Wire:AWG#26UL1007 (optional)
 PIN1:BLACK WIRE---(-)
 PIN2:RED WIRE---(+)



DIMENSIONS DRAWING(unit:mm)



P@Q CURVE(AT RATED VOLTAGE)



Model	Bearing Mode①	Rated Vol	Freque ncy	Rated current	Rated input power	Speed	Maximum air Flow		Maximum Air pressure		Noise
		VDC	VDC	Amp	Watt		R. P. M	M3/min	CFM	mmH2O	
PART. NO.		VDC	VDC	Amp	Watt	R. P. M	M3/min	CFM	mmH2O	lnH2O	dB-A
AQL22599B24L	B=Ball S=Sleeve H=Hydraulic	24	18~26.5	4.20	100.80	1500	639.6	376.7	45.40	445.50	37.9
AQL22599B24M		24	18~26.5	5.50	132.00	2000	852.8	502.3	60.50	594.00	50.5
AQL22599B24H		24	18~26.5	7.00	168.00	2800	1193.9	703.2	84.70	831.60	70.7
AQL22599B48L		48	36~54	2.00	96.00	1500	639.6	376.7	45.40	445.50	37.9
AQL22599B48M		48	36~54	2.80	134.40	2000	852.8	502.3	60.50	594.00	50.5
AQL22599B48H		48	36~54	3.80	182.40	2700	1151.3	678.7	81.70	801.90	68.2

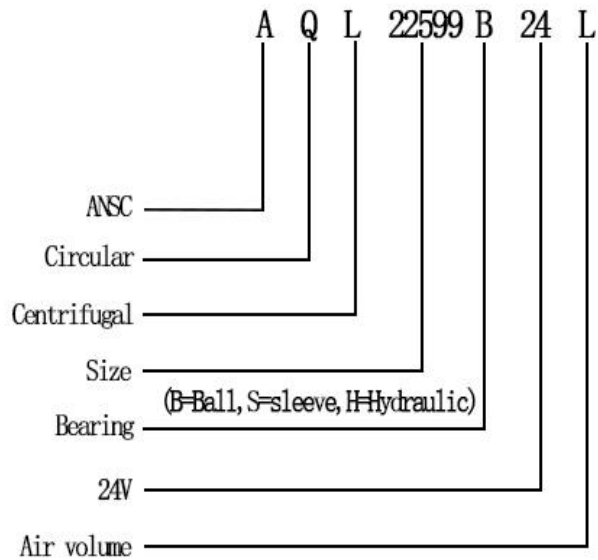
① Bearing Mode: Ball / Sleeve / Hydraulic / Ball (UL) / Sleeve (UL) / Hydraulic (UL)

② X=Function: FG RD RDL LD PWM TP VC RC CS RP SS AS CL IPX5

③ A=Plug

④ C=Customized by customers: Air volume, Air duct, Movement, Service life, Temperature, Noise, Material, Mold. etc.

导引: 编码规则 Code Rule



*PROPRIETARY AND CONFIDENTIAL , THE INFORMATION CONTAINED IN THIS DRAWING IS THE SOLE PROPERTY OF <ALL NEW SEMI>.
ANY REPRODUCTION IN PART OR AS A WHOLE WITHOUT THE WRITTEN PERMISSION OF <ALL NEW SEMI> IS PROHIBITED.

<https://allnewsemi.com>
<https://allnewsemi.shop>