



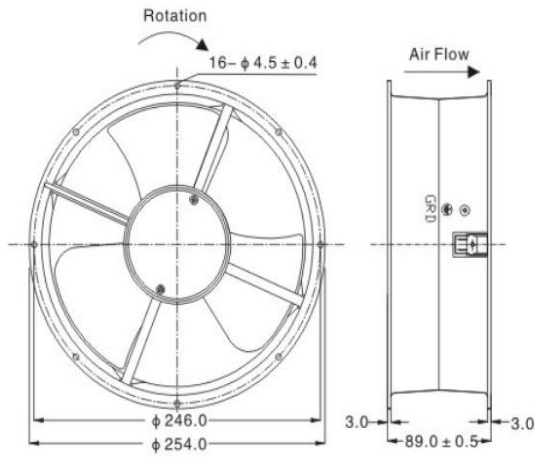
## AC BRUSHLESS FAN

**AQ3A25489B 254\*89MM**

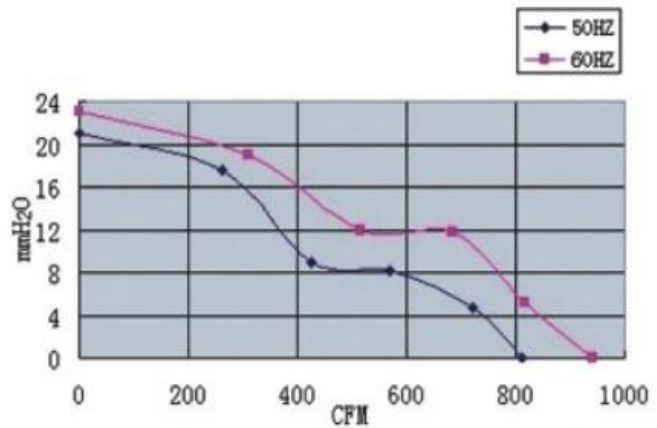
Motor: AC Brushless  
 Bearing: Ball  
 Shell frame: Aluminum Alloy  
 Fan blade: PBT UL94V-0  
 Insulation: Class B  
 Wire: AWG#26UL1007 (optional)  
 PIN1: BLACK WIRE---(-)  
 PIN2: RED WIRE---(+)



**DIMENSIONS DRAWING(unit:mm)**



**P@Q CURVE(AT RATED VOLTAGE)**



Model	Bearing Mode①	Rated Voltage	Operating voltage	Rated current	Rated input power	Speed	Maximum air Flow		Maximum Air pressure		Noise	
		VAC	VAC	Amp	Watt		R. P. M	M3/min	CFM	mmH2O		InH2O
PART. NO.												
AQ3A25489B110H	B=Ball S=Sleeve H=Hydraulic	110	100~125	0.28/0.30	32	1400	/	600	/	0.315	52	
AQ3A25489B230H		230	220~240	0.16/0.17	35	1650	/	665	/	0.394	55	

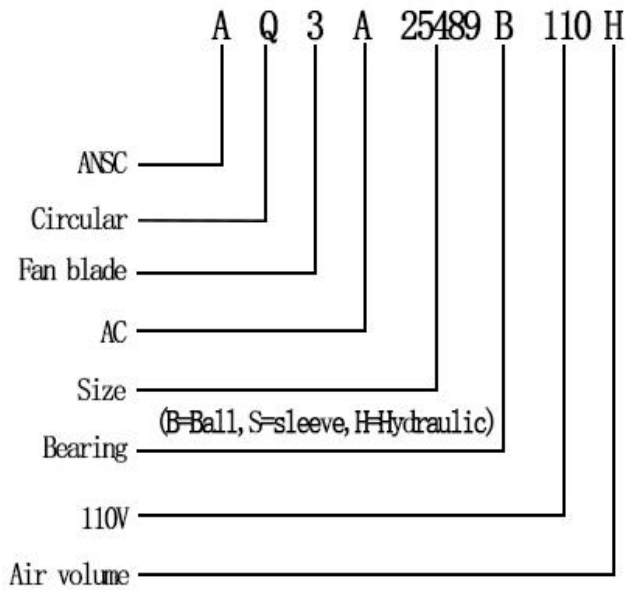
①Bearing Mode:Ball/ Sleeve/Hydraulic/Ball (UL)/Sleeve (UL)Hydraulic (UL)

②X=Function: FG RD RDL LD PWM TP VC RC CS RP SS AS CL IPX5

③A=Plug

④C=Customized by customers: Air volume, Air duct, Movement,Service life, Temperature, Noise, Material, Mold.etc.

导引：编码规则Code Rule



\*PROPRIETARY AND CONFIDENTIAL , THE INFORMATION CONTAINED IN THIS DRAWING IS THE SOLE PROPERTY OF <ALL NEW SEMI>.  
ANY REPRODUCTION IN PART OR AS A WHOLE WITHOUT THE WRITTEN PERMISSION OF <ALL NEW SEMI> IS PROHIBITED.

<https://allnewsemi.com>  
<https://allnewsemi.shop>