



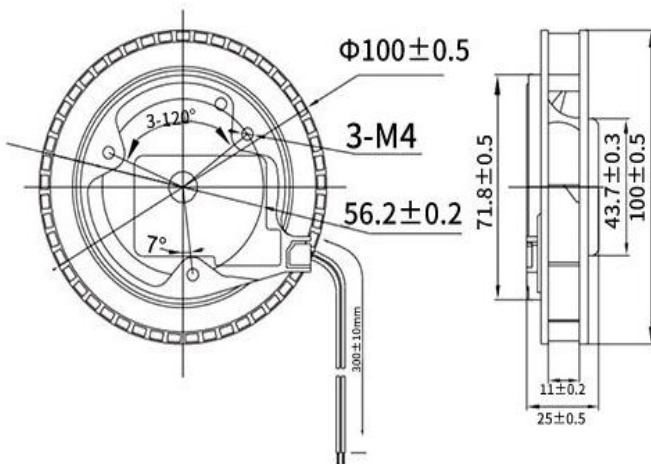
DC Centrifugal FAN

AQL10025B 100*100*25mm

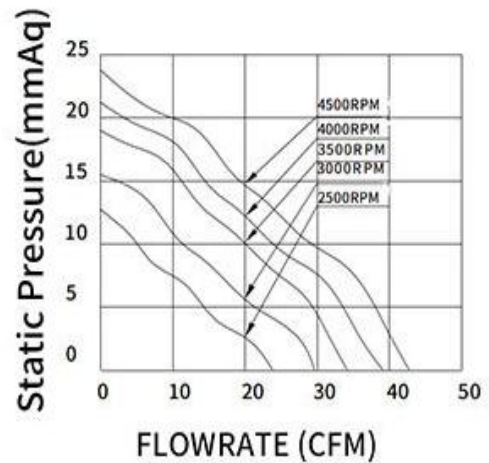
Motor:DC Centrifugal
 Bearing:Ball
 Shell frame: PBT UL94V_0
 Fan blade: PBT UL94V_0
 Insulation:Class B
 Wire:AWG#26UL1007 (optional)
 PIN1:BLACK WIRE---(-)
 PIN2:RED WIRE---(+)



DIMENSIONS DRAWING(unit:mm)



P@Q CURVE(AT RATED VOLTAGE)



Model	Bearing Mode①	Rated Vol	Freque ncy	Rated current	Rated input power	Speed	Maximum air Flow		Maximum Air pressure		Noise
		VDC	VDC	Amp	Watt		R. P. M	M3/min	CFM	mmH2O	
PART. NO.		VDC	VDC	Amp	Watt	R. P. M	M3/min	CFM	mmH2O	lnH2O	dB-A
AQL10025B12L	B=Ball S=Sleeve H=Hydraulic	12	3~13.5	0.29	3.48	2500	0.679	24.1	13.16	0.518	31
AQL10025B12M		12	3~13.5	0.35	4.2	3000	0.814	29	15.79	0.622	37.2
AQL10025B12H		12	3~13.5	0.41	4.92	3500	0.95	33.8	18.42	0.725	43.5
AQL10025B12HH		12	3~13.5	0.47	5.64	4000	1.086	38.6	21.06	0.829	49.7
AQL10025B12VH		12	3~13.5	0.53	6.36	4500	1.222	43.5	23.69	0.923	55.9
AQL10025B24L		24	12~28	0.15	3.6	2500	0.679	24.1	13.16	0.518	31

AQL10025B24M	B=Ball S=Sleeve H=Hydraulic	24	12~28	0.18	4.32	3000	0.814	29	15.79	0.622	37.2
AQL10025B24H		24	12~28	0.21	5.04	3500	0.95	33.8	18.42	0.725	43.5
AQL10025B24HH		24	12~28	0.24	5.76	4000	1.086	38.6	21.06	0.829	49.7
AQL10025B24VH		24	12~28	0.27	6.48	4500	1.222	43.5	23.69	0.923	55.9

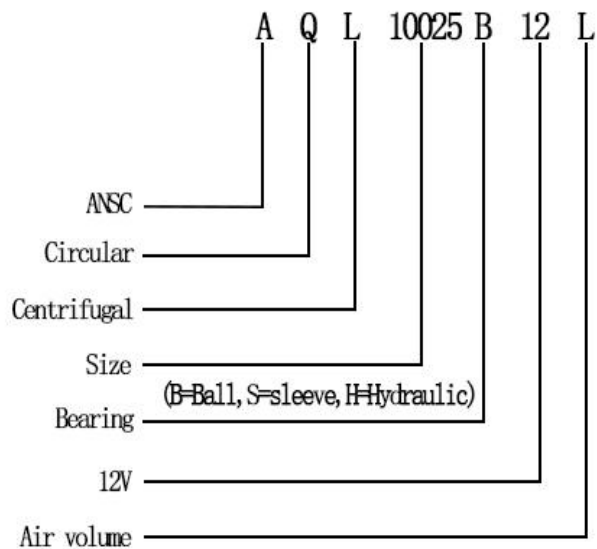
①Bearing Mode:Ball/ Sleeve/Hydraulic/Ball (UL)/Sleeve (UL)Hydraulic (UL)

②X=Function: FG RD RDL LD PWM TP VC RC CS RP SS AS CL IPX5

③A=Plug

④C=Customized by customers: Air volume, Air duct, Movement, Service life, Temperature, Noise, Material, Mold.etc.

导引: 编码规则Code Rule



*PROPRIETARY AND CONFIDENTIAL , THE INFORMATION CONTAINED IN THIS DRAWING IS THE SOLE PROPERTY OF <ALL NEW SEMI>.
ANY REPRODUCTION IN PART OR AS A WHOLE WITHOUT THE WRITTEN PERMISSION OF <ALL NEW SEMI> IS PROHIBITED.

<https://allnewsemi.com>
<https://allnewsemi.shop>