



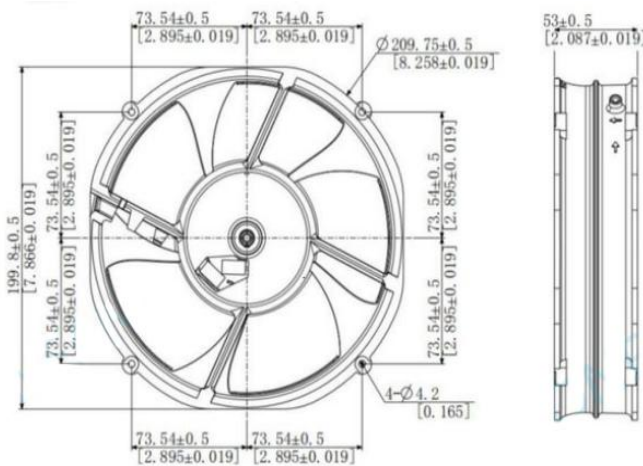
DC BRUSHLESS FAN

AQ5D20053B 200*200*53mm

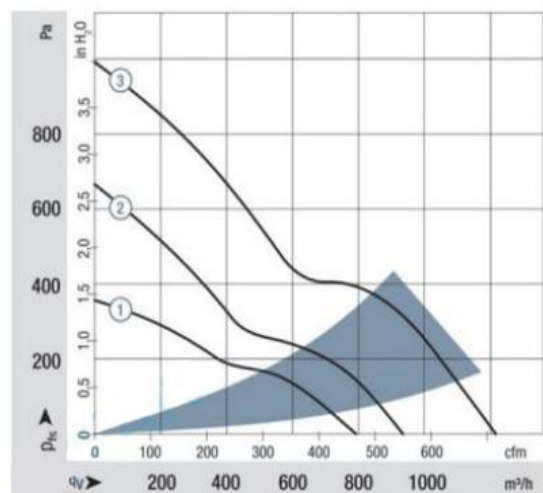
Motor:DC Brushless
 Bearing:Two Ball、Sleeve、Hydraulic
 Shell frame: PBT UL94V-0
 Fan blade: PBT UL94V-0
 Insulation:Class B
 Wire:AWG#26UL1007 (optional)
 PIN1:BLACK WIRE---(-)
 PIN2:RED WIRE---(+)



DIMENSIONS DRAWING(unit:mm)



P@Q CURVE(AT RATED VOLTAGE)



Model	Bearing Mode①	Rated Voltage	Operating voltage range	Rated current	Rated input power	Speed	Maximum air Flow		Maximum Air pressure		Noise
		VDC	VDC	Amp	Watt		R. P. M	M3/min	CFM	mmH2O	
PART. NO.											
AQ5D20053B12L	B=Ball S=Sleeve H=Hydraulic	12	7.5~13.5	2.91	35.0	4250	13.2	465	370	1.49	62
AQ5D20053B12M		12	7.5~13.5	4.00	48.0	5000	15.7	553	659	2.65	66
AQ5D20053B12H		12	7.5~13.5	8.58	103	6500	20.39	718	998	4.01	72
AQ5D20053B12HH		12	7.5~13.5	13.16	158	7500	24.42	860	1250	5.02	78
AQ5D20053B24L		24	18~26.5	1.45	35.0	4250	13.2	465	370	1.49	62
AQ5D20053B24M		24	18~26.5	2.00	48.0	5000	15.7	553	659	2.65	66

AQ5D20053B24H	B=Ball S=Sleeve H=Hydraulic	24	18~26.5	4.29	103	6500	20.39	718	998	4.01	72
AQ5D20053B24HH		24	18~26.5	6.58	158	7500	24.42	860	1250	5.02	78
AQ5D20053B24VH		24	18~26.5	9.16	220	8500	28.68	1010	1488	5.98	82
AQ5D20053B48L		48	36~54	0.72	35.0	4250	13.2	465	370	1.49	62
AQ5D20053B48M		48	36~54	1.00	48.0	5000	15.7	553	659	2.65	66
AQ5D20053B48H		48	36~54	2.14	103	6500	20.39	718	998	4.01	72
AQ5D20053B48HH		48	36~54	3.29	158	7500	24.42	860	1250	5.02	78
AQ5D20053B48VH		48	36~54	4.58	220	8500	28.68	1010	1488	5.98	82

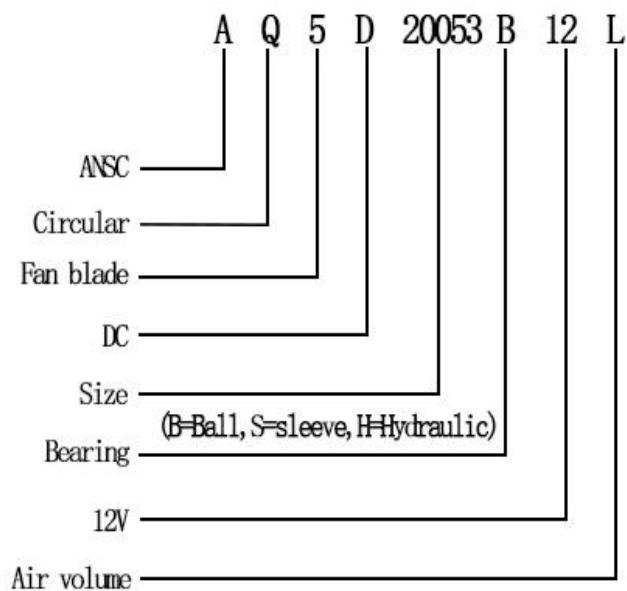
① Bearing Mode: Ball/ Sleeve/ Hydraulic/ Ball (UL)/ Sleeve (UL) Hydraulic (UL)

② X=Function: FG RD RDL LD PWM TP VC RC CS RP SS AS CL IPX5

③ A=Plug

④ C=Customized by customers: Air volume, Air duct, Movement, Service life, Temperature, Noise, Material, Mold. etc.

导引: 编码规则 Code Rule



*PROPRIETARY AND CONFIDENTIAL , THE INFORMATION CONTAINED IN THIS DRAWING IS THE
SOLE PROPERTY OF <ALL NEW SEMI>.
ANY REPRODUCTION IN PART OR AS A WHOLE WITHOUT THE WRITTEN PERMISSION OF
<ALL NEW SEMI> IS PROHIBITED.

<https://allnewsemi.com>
<https://allnewsemi.shop>