



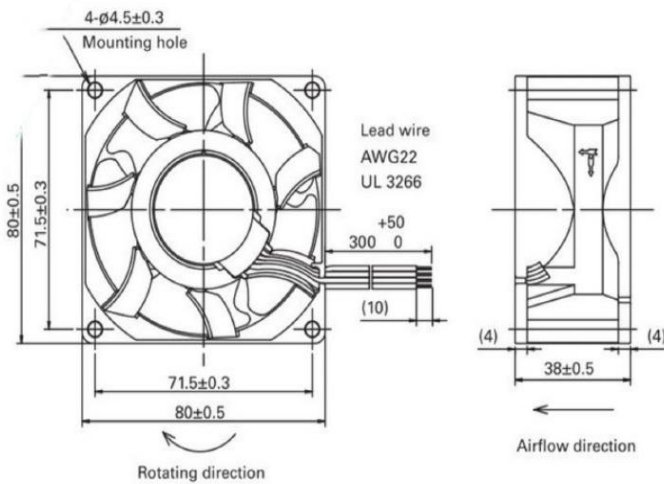
## DC BRUSHLESS FAN

**AF5D8038B 80\*80\*38MM**

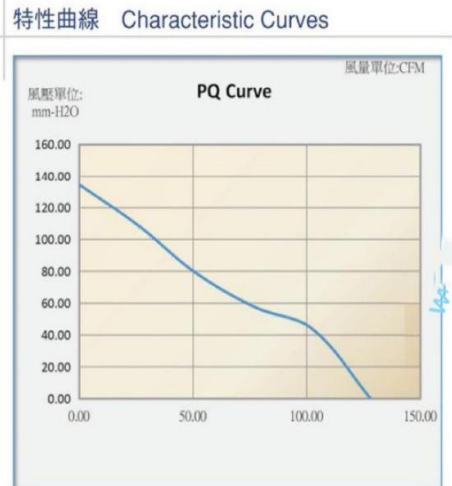
Motor:DC Brushless  
 Bearing:Ball  
 Shell frame: PBT UL94V-0  
 Fan blade: PBT UL94V-0  
 Insulation:Class B  
 Wire:AWG#26UL1007 (optional)  
 PIN1:BLACK WIRE---(-)  
 PIN2:RED WIRE---(+)



**DIMENSIONS DRAWING(unit:mm)**



**P@Q CURVE(AT RATED VOLTAGE)**



Model	Bearing Mode①	Rated Voltage	Operating voltage range	Rated current	Rated input power	Speed	Maximum air Flow		Maximum Air pressure		Noise
		VDC	VDC	Amp	Watt		R. P. M	M3/min	CFM	mmH2O	
PART. NO.											
AF5D8038B12L	B=Ball S=Sleeve H=Hydraulic	12	7~13.5	0.20	2.4	4200	0.96	33.9	10.71	0.42	44
AF5D8038B12HH		12	7~13.5	3.5	42	16100	3.75	132	137.7	5.4	73
AF5D8038B24L		24	18~26.5	0.10	2.4	4200	0.96	33.9	10.71	0.42	44
AF5D8038B12HH		24	18~26.5	1.8	43.2	16100	3.75	132	137.7	5.4	73
AF5D8038B48L		48	36~54	0.07	3.36	4200	0.96	33.9	10.71	0.42	44
AF5D8038B48HH		48	36~54	0.9	43.2	16100	3.75	132	137.7	5.4	73

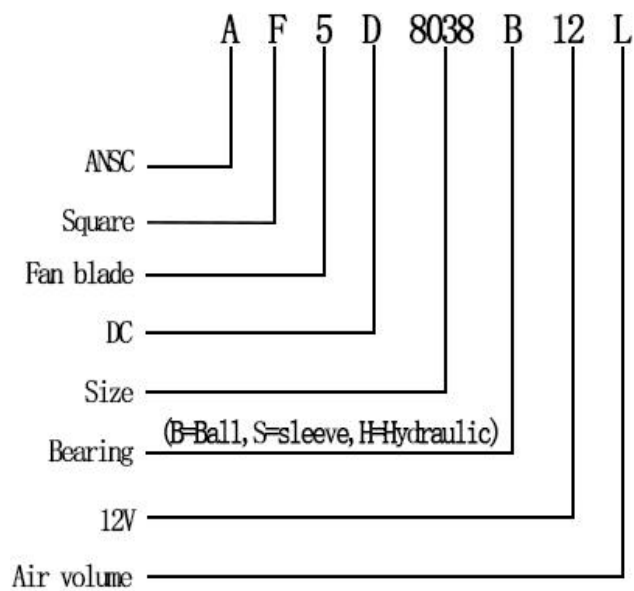
① Bearing Mode: Ball / Sleeve / Hydraulic / Ball (UL) / Sleeve (UL) / Hydraulic (UL)

② X=Function: FG RD RDL LD PWM TP VC RC CS RP SS AS CL IPX5

③ A=Plug

④ C=Customized by customers: Air volume, Air duct, Movement, Service life, Temperature, Noise, Material, Mold. etc.

导引：编码规则 Code Rule



\*PROPRIETARY AND CONFIDENTIAL , THE INFORMATION CONTAINED IN THIS DRAWING IS THE SOLE PROPERTY OF <ALL NEW SEMI>.

ANY REPRODUCTION IN PART OR AS A WHOLE WITHOUT THE WRITTEN PERMISSION OF <ALL NEW SEMI> IS PROHIBITED.

<https://allnewsemi.com>  
<https://allnewsemi.shop>