



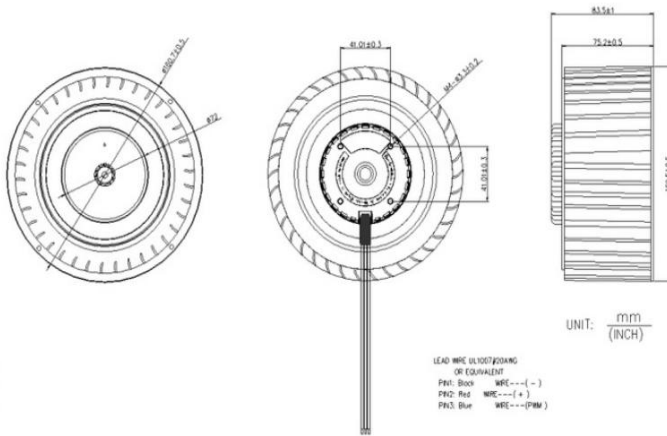
# DC Centrifugal FAN

**AQL16080B 160\*80MM**

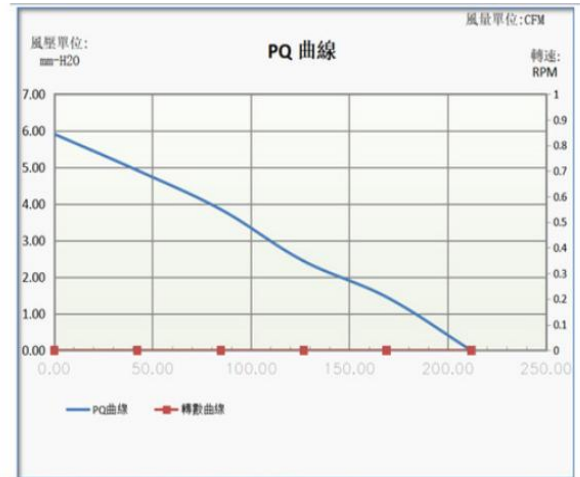
Motor:DC Centrifugal  
 Bearing:Two Ball  
 Shell frame: PBT UL94V\_0  
 Fan blade: PBT UL94V\_0  
 Insulation:Class B  
 Wire:AWG#26UL1007 (optional)  
 PIN1:BLACK WIRE---(-)  
 PIN2:RED WIRE---(+)



**DIMENSIONS DRAWING(unit:mm)**



**P@Q CURVE(AT RATED VOLTAGE)**



Model	Bearing Mode①	Rated Vol	Freque ncy	Rated current	Rated input power	Speed	Maximum air Flow		Maximum Air pressure		Noise
		VDC	VDC	Amp	Watt		R. P. M	M3/min	CFM	mmH2O	
PART. NO.		VDC	VDC	Amp	Watt	R. P. M	M3/min	CFM	mmH2O	lnH2O	dB-A
AQL16080B12M	B=Ball S=Sleeve H=Hydraulic	12	7~13.5	2.00	24.00	1000	3.275	115.74	1.79	17.55	45.4
AQL16080B12H		12	7~13.5	4.80	57.60	1800	5.995	211.84	5.91	57.97	57.8
AQL16080B24M		24	18~26.5	1.00	24.00	1000	3.275	115.74	1.79	17.55	45.4
AQL16080B24H		24	18~26.5	2.40	57.60	1800	5.995	211.84	5.91	57.97	57.8
AQL16080B48M		48	36~54	0.50	24.00	1000	3.275	115.74	1.79	17.55	45.4
AQL16080B48H		48	36~54	1.20	57.60	1800	5.995	211.84	5.91	57.97	57.8

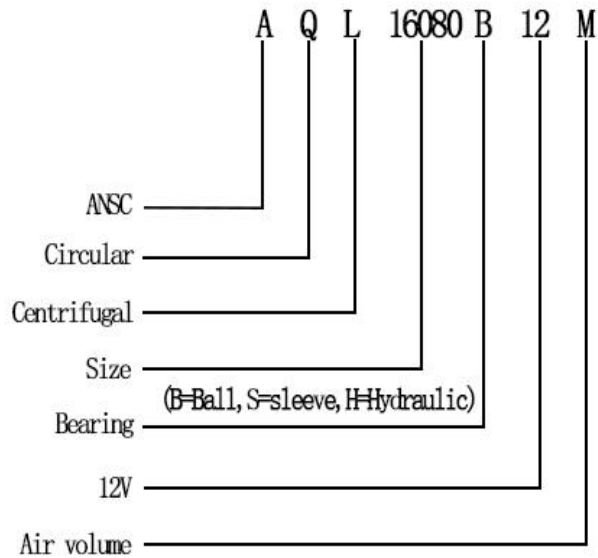
① Bearing Mode: Ball/ Sleeve/Hydraulic/ Ball (UL)/Sleeve (UL)Hydraulic (UL)

② X=Function: FG RD RDL LD PWM TP VC RC CS RP SS AS CL IPX5

③ A=Plug

④ C=Customized by customers: Air volume, Air duct, Movement, Service life, Temperature, Noise, Material, Mold.etc.

导引： 编码规则Code Rule



\*PROPRIETARY AND CONFIDENTIAL , THE INFORMATION CONTAINED IN THIS DRAWING IS THE SOLE PROPERTY OF <ALL NEW SEMI>. ANY REPRODUCTION IN PART OR AS A WHOLE WITHOUT THE WRITTEN PERMISSION OF <ALL NEW SEMI> IS PROHIBITED.

<https://allnewsemi.com>  
<https://allnewsemi.shop>