



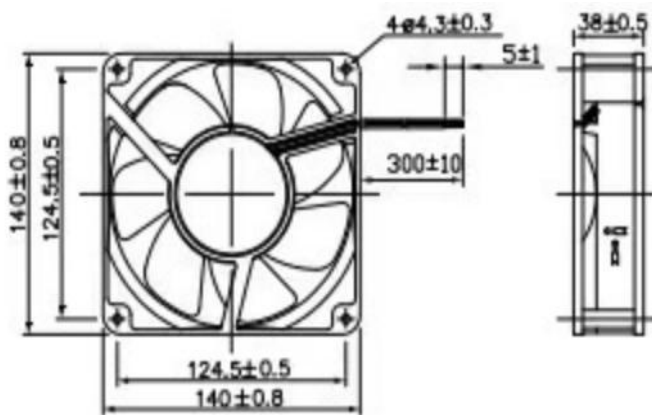
## DC BRUSHLESS FAN

AF7D14038S 140\*140\*38mm

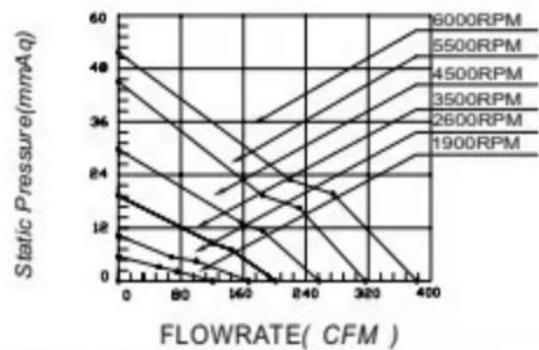
Motor:DC Brushless  
 Bearing:Sleeve、Hydraulic  
 Shell frame: PBT UL94V-0  
 Fan blade: PBT UL94V-0  
 Insulation:Class B  
 Wire:AWG#26UL1007 (optional)  
 PIN1:BLACK WIRE---(-)  
 PIN2:RED WIRE---(+)



DIMENSIONS DRAWING(unit:mm)



P@Q CURVE(AT RATED VOLTAGE)



Model	Bearing Mode①	Rated	Operating	Rated	Rated	Speed	Maximum		Maximum		Noise
		Volt	voltage range	current	input power		air Flow	Air pressure	mmH2O	InH2O	
PART. NO.		VDC	VDC	Amp	Watt	R. P. M	M3/min	CFM	mmH2O	InH2O	dB-A
AF7D14038S12L	B=Ball S=Sleeve H=Hydraulic	12	7.5~13.5	0.33	3.96	1900	3.314	117.1	5.2	0.209	38
AF7D14038S12M		12	7.5~13.5	0.73	8.76	2600	4.505	159.2	9.4	0.378	46
AF7D14038S12H		12	7.5~13.5	2.24	26.88	3500	6.271	221.6	19.7	0.776	58.8
AF7D14038S12HH		12	7.5~13.5	3.44	41.28	4500	7.998	282.6	30.3	1.193	67.5
AF7D14038S12VH		12	7.5~13.5	5.2	62.4	5500	9.854	348.2	45.9	1.807	74
AF7D14038S12HV		12	7.5~13.5	6.0	72.0	6000	10.714	378.6	51.1	2.012	77.2

AF7D14038S24L	B=Ball S=Sleeve H=Hydraulic	24	18~26.5	0.17	3.96	1900	3.314	117.1	5.2	0.209	38
AF7D14038S24M		24	18~26.5	0.37	8.76	2600	4.505	159.2	9.4	0.378	46
AF7D14038S24H		24	18~26.5	1.12	26.88	3500	6.271	221.6	19.7	0.776	58.8
AF7D14038S24HH		24	18~26.5	1.72	41.28	4500	7.998	282.6	30.3	1.193	67.5
AF7D14038S24VH		24	18~26.5	2.6	62.4	5500	9.854	348.2	45.9	1.807	74
AF7D14038S24HV		24	18~26.5	3.0	72.0	6000	10.714	378.6	51.1	2.012	77.2
AF7D14038S48L		48	36~54	0.08	3.96	1900	3.314	117.1	5.2	0.209	38
AF7D14038S48M		48	36~54	0.18	8.76	2600	4.505	159.2	9.4	0.378	46
AF7D14038S48H		48	36~54	0.56	26.88	3500	6.271	221.6	19.7	0.776	58.8
AF7D14038S48HH		48	36~54	0.86	41.28	4500	7.998	282.6	30.3	1.193	67.5
AF7D14038S48VH		48	36~54	1.3	62.4	5500	9.854	348.2	45.9	1.807	74
AF7D14038S48HV		48	36~54	1.5	72.0	6000	10.714	378.6	51.1	2.012	77.2

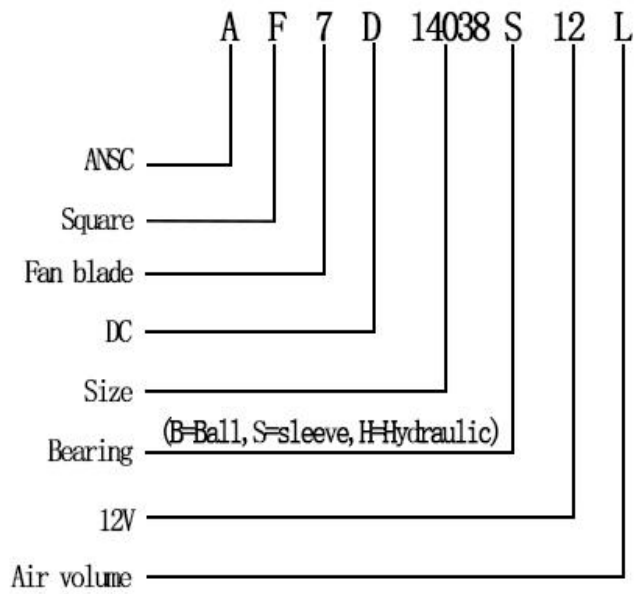
①Bearing Mode:Ball/ Sleeve/Hydraulic/Ball (UL)/Sleeve (UL)Hydraulic (UL)

②X=Function: FG RD RDL LD PWM TP VC RC CS RP SS AS CL IPX5

③A=Plug

④C=Customized by customers: Air volume, Air duct, Movement, Service life, Temperature, Noise, Material, Mold.etc.

导引：编码规则Code Rule



\*PROPRIETARY AND CONFIDENTIAL , THE INFORMATION CONTAINED IN THIS DRAWING IS THE SOLE PROPERTY OF <ALL NEW SEMI>. ANY REPRODUCTION IN PART OR AS A WHOLE WITHOUT THE WRITTEN PERMISSION OF <ALL NEW SEMI> IS PROHIBITED.

<https://allnewsemi.com>  
<https://allnewsemi.shop>