



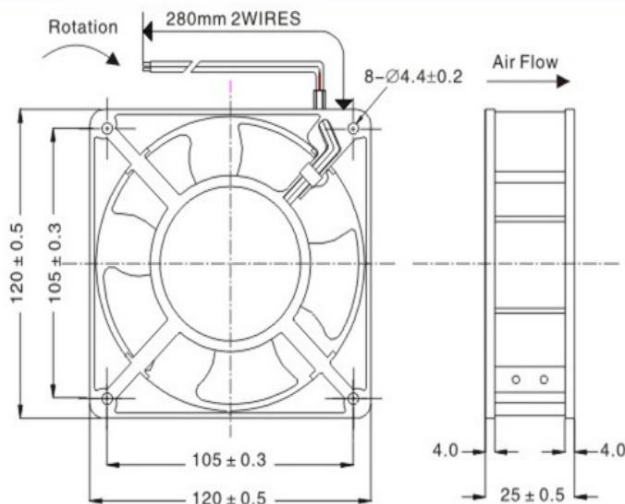
AC BRUSHLESS FAN

AF7A12038B 120*120*38mm

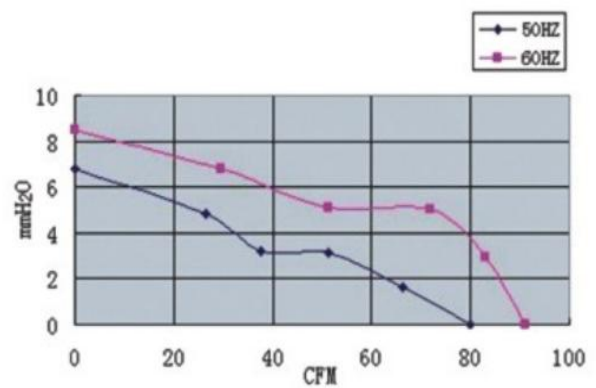
Motor: AC Brushless
 Bearing: Ball, Sleeve
 Shell frame: Aluminum Alloy
 Fan blade: PBT+30%GF
 Insulation: Class B
 Wire: AWG#22UL1007 (optional)
 PIN1: BLACK WIRE---(-)
 PIN2: RED WIRE---(+)



DIMENSIONS DRAWING(unit:mm)



P@Q CURVE(AT RATEDVOLTAGE)



Model	Bearing Mode①	Rated Voltage	Operating voltage	Rated current	Rated input power	Speed	Maximum air Flow		Maximum Air pressure		Noise
		VAC	VAC	Amp	Watt	R. P. M	M3/min	CFM	mmH ₂ O	InH ₂ O	
PART. NO.		VAC	VAC	Amp	Watt	R. P. M	M3/min	CFM	mmH ₂ O	InH ₂ O	dB-A
AF7A12038B110H	B=Ball S=Sleeve H=Hydraulic	110	100~125	0.22/0.18	21/18	2650/2950	/	91/113	/	/	40/45
AF7A12038B110M		110	100~125	0.17/0.15	16/14	2500/2200	/	75/70	/	/	37/35
AF7A12038B110L		110	100~125	0.14/0.12	12/10.5	2000/1800	/	66/60	/	/	30/29
AF7A12038B220H		220	220~240	0.12/0.11	20/19	2650/2950	/	91/113	/	/	40/45
AF7A12038B220M		220	220~240	0.09/0.08	16/14	2500/2200	/	75/70	/	/	37/35
AF7A12038B220L		220	220~240	0.08/0.08	12/10.5	2000/1800	/	66/60	/	/	30/29

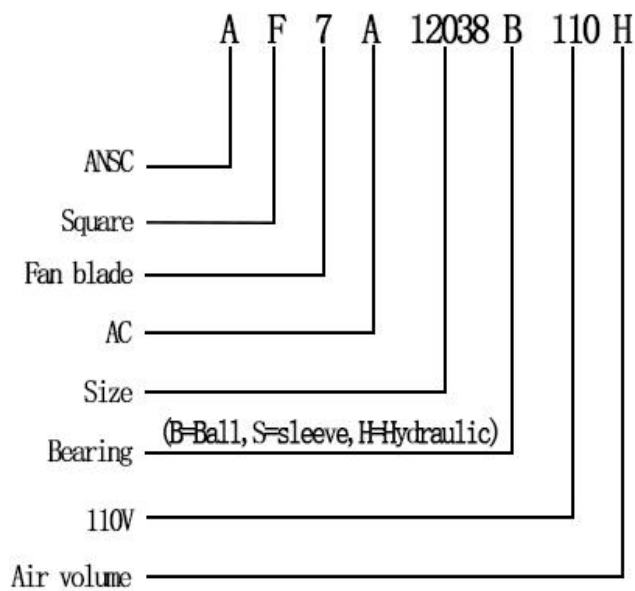
①Bearing Mode:Ball/ Sleeve/Hydraulic/Ball (UL)/Sleeve(UL)Hydraulic(UL)

②X=Function: FG RD RDL LD PWM TP VC RC CS RP SS AS CL IPX5

③A=Plug

④C=Customized by customers: Air volume, Air duct, Movement, Service life, Temperature, Noise, Material, Mold.etc.

导引： 编码规则Code Rule



*PROPRIETARY AND CONFIDENTIAL , THE INFORMATION CONTAINED IN THIS DRAWING IS THE SOLE PROPERTY OF <ALL NEW SEMI>.

ANY REPRODUCTION IN PART OR AS A WHOLE WITHOUT THE WRITTEN PERMISSION OF <ALL NEW SEMI> IS PROHIBITED.

<https://allnewsemi.com>
<https://allnewsemi.shop>