



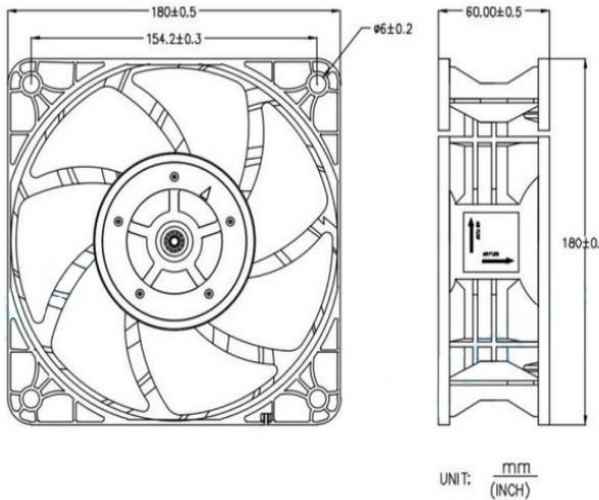
## DC BRUSHLESS FAN

AF7D18060B 180\*180\*60MM

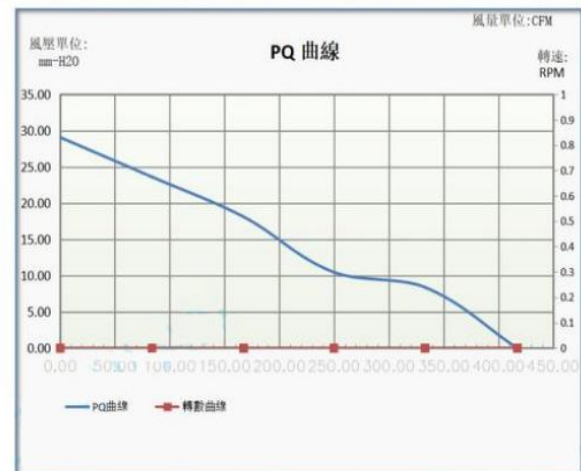
Motor:DC Brushless  
 Bearing:Two Ball、Sleeve  
 Shell frame: PBT UL94V-0  
 Fan blade: PBT UL94V-0  
 Insulation:Class B  
 Wire:AWG#26UL1007 (optional)  
 PIN1:BLACK WIRE----(-)  
 PIN2:RED WIRE----(+)



DIMENSIONS DRAWING(unit:mm)



P@Q CURVE(AT RATEDVOLTAGE)



Model	Bearing Mode①	Rate d	Operating	Rated	Rated	Speed	Maximum		Maximum		Noise
		Volt	voltage	current	input		air Flow	Air pressure	mmH2O	InH2O	
PART. NO.		VDC	range	Amp	Watt	R. P. M	M3/min	CFM	mmH2O	InH2O	dB-A
AF7D18060B12L	B=Ball S=Sleeve H=Hydraulic	12	7~13.5	1.70	20.4	1500	5.33	188.4	6.25	0.246	48.7
AF7D18060B12M		12	7~13.5	2.00	24	2000	7.19	254.4	11.38	0.448	55.5
AF7D18060B12H		12	7~13.5	2.80	33.6	2500	9.13	322.9	18.03	0.710	58.9
AF7D18060B12HH		12	7~13.5	4.00	48	3200	11.8	417.1	29.09	1.146	65.8
AF7D18060B24L		24	18~26.5	0.85	20.4	1500	5.33	188.4	6.25	0.246	48.7
AF7D18060B24M		24	18~26.5	1.00	24	2000	7.19	254.4	11.38	0.448	55.5

AF7D18060B24H	B=Ball S=Sleeve H=Hydraulic	24	18~26.5	1.40	33.6	2500	9.13	322.9	18.03	0.710	58.9
AF7D18060B24HH		24	18~26.5	2.00	48	3200	11.8	417.1	29.09	1.146	65.8
AF7D18060B48L		48	36~54	0.42	20.4	1500	5.33	188.4	6.25	0.246	48.7
AF7D18060B48M		48	36~54	0.50	24	2000	7.19	254.4	11.38	0.448	55.5
AF7D18060B48H		48	36~54	0.70	33.6	2500	9.13	322.9	18.03	0.710	58.9
AF7D18060B48HH		48	36~54	1.00	48	3200	11.8	417.1	29.09	1.146	65.8

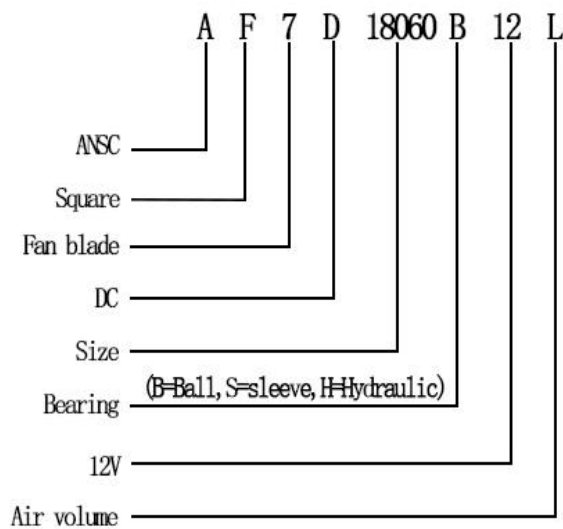
①Bearing Mode:Ball/ Sleeve/ Hydraulic/ Ball (UL) /Sleeve (UL) Hydraulic (UL)

②X=Function: FG RD RDL LD PWM TP VC RC GS RP SS AS CL IPX5

③A=Plug

④C=Customized by customers: Air volume, Air duct, Movement, Service life, Temperature, Noise, Material, Mold.etc.

导引: 编码规则Code Rule



\*PROPRIETARY AND CONFIDENTIAL , THE INFORMATION CONTAINED IN THIS DRAWING IS THE SOLE PROPERTY OF <ALL NEW SEMI>.

ANY REPRODUCTION IN PART OR AS A WHOLE WITHOUT THE WRITTEN PERMISSION OF <ALL NEW SEMI> IS PROHIBITED.

<https://allnewsemi.com>  
<https://allnewsemi.shop>