



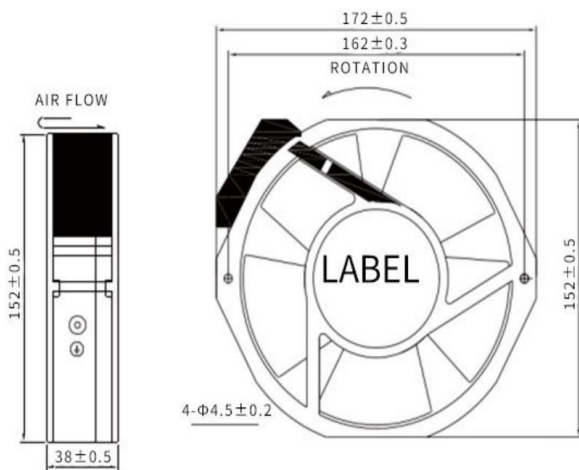
AC BRUSHLESS FAN

AQ5A17238B 172*152*38mm

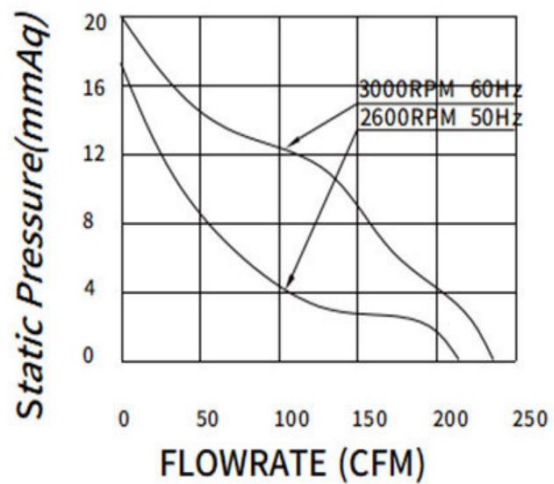
Motor: AC Brushless
 Bearing: Ball
 Shell frame: Aluminium Alloy
 Fan blade: PBT UL94V-0
 Insulation: Class B
 Wire: AWG#26UL1007 (optional)
 PIN1: BLACK WIRE---(-)
 PIN2: RED WIRE---(+)



DIMENSIONS DRAWING(unit:mm)



P@Q CURVE(AT RATED VOLTAGE)



Model	Bearing Mode①	Rated Vol	Operat ing voltag	Rated curren t	Rated input power	Speed	Maximum air Flow		Maximum Air pressure		Noise
		VAC	VAC	Amp	Watt	R. P. M	M3/min	CFM	mmH20	InH20	
PART. NO.											
AQ5A17238B110L	B=Ball S=Sleeve H=Hydraulic	110	100~125	0.25	22.4	2600	4.3	152	12.49	0.555	52
AQ5A17238B110M		110	100~125	0.47	35	3000	4.87	172	12.49	0.492	56
AQ5A17238B220L		220	220~240	0.2	44	2600	4.3	152	14.09	0.555	52
AQ5A17238B220M		220	220~240	0.2	40	3000	4.87	172	12.49	0.492	56

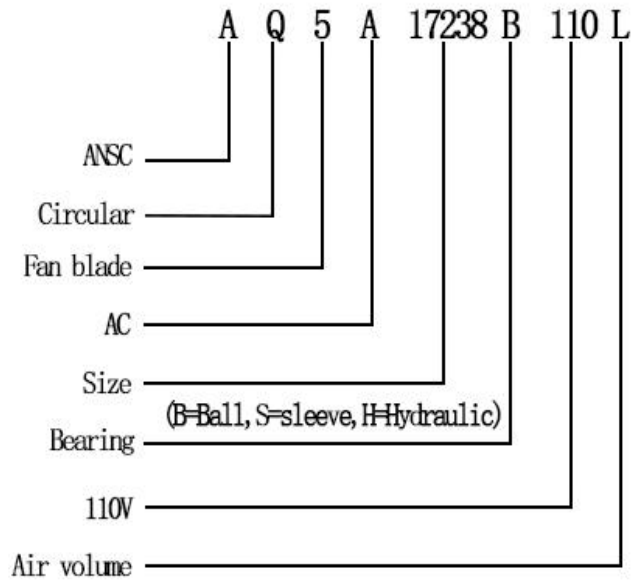
①Bearing Mode: Ball/ Sleeve/Hydraulic/Ball (UL)/Sleeve (UL) Hydraulic (UL)

②X=Function: FG RD RDL LD PWM TP VC RC CS RP SS AS CL IPX5

③A=Plug

④C=Customized by customers: Air volume, Air duct, Movement, Service life, Temperature, Noise, Material, Mold.etc.

导引： 编码规则Code Rule



*PROPRIETARY AND CONFIDENTIAL , THE INFORMATION CONTAINED IN THIS DRAWING IS THE SOLE PROPERTY OF <ALL NEW SEMI>.
ANY REPRODUCTION IN PART OR AS A WHOLE WITHOUT THE WRITTEN PERMISSION OF <ALL NEW SEMI> IS PROHIBITED.

<https://allnewsemi.com>
<https://allnewsemi.shop>