



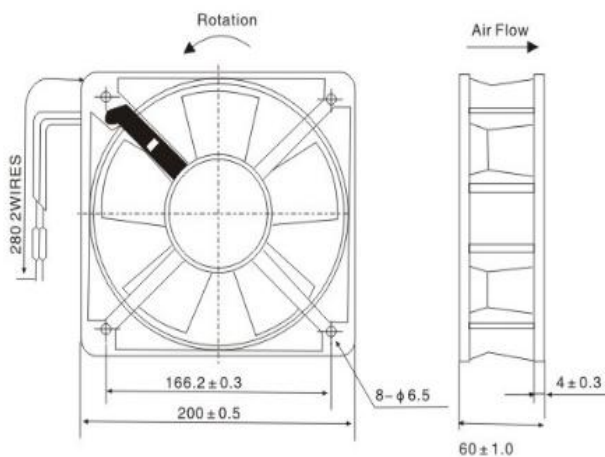
## AC BRUSHLESS FAN

AF5A20060B 200\*200\*60mm

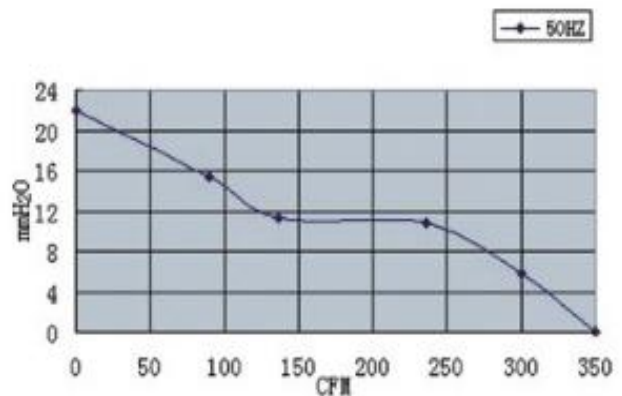
Motor: AC Brushless  
 Bearing: Ball  
 Shell frame: Aluminum Alloy  
 Fan blade: PBT+30%GF  
 Insulation: Class B  
 Wire: AWG#20 UL1015 (Optional)  
 PIN1: BLACK WIRE--- (-)  
 PIN2: RED WIRE--- (+)



DIMENSIONS DRAWING(unit:mm)



P@Q CURVE(AT RATED VOLTAGE)



Model	Bearing Mode <sup>①</sup>	Rated Voltage	Operating voltage	Rated current	Rated input power	Speed	Maximum air Flow		Maximum Air pressure		Noise
		VAC	VAC	Amp	Watt		R. P. M	M3/min	CFM	mmH <sub>2</sub> O	
PART. NO.		VAC	VAC	Amp	Watt	R. P. M	M3/min	CFM	mmH <sub>2</sub> O	InH <sub>2</sub> O	dB-A
AF5A20060B230H	B=Ball S=Sleeve H=Hydraulic	230	/	0.45	65	2300	9.8	350	22.0	0.80	54
AF5A20060B380H		380	/	0.30	65	2300	9.8	350	22.0	0.80	54

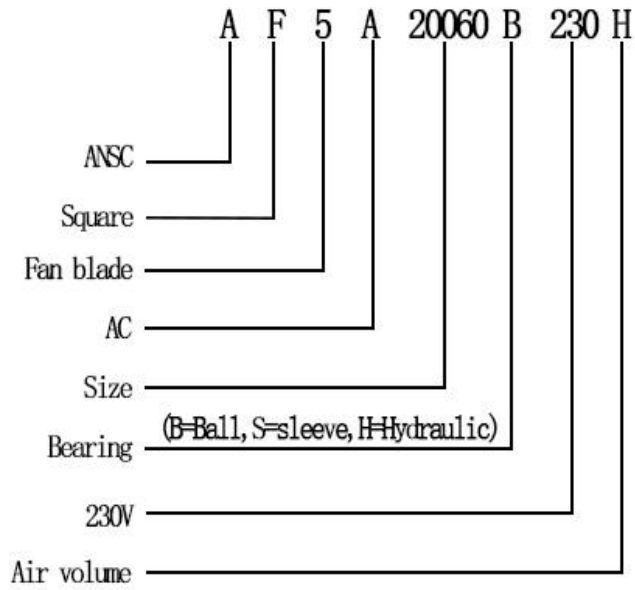
①Bearing Mode:Ball/ Sleeve/Hydraulic/Ball (UL)/Sleeve (UL)Hydraulic (UL)

②X=Function: FG RD RDL LD PWM TP VC RC CS RP SS AS CL IPX5

③A=Plug

④C=Customized by customers: Air volume, Air duct, Movement, Service life, Temperature, Noise, Material, Mold.etc.

导引：编码规则Code Rule



\*PROPRIETARY AND CONFIDENTIAL , THE INFORMATION CONTAINED IN THIS DRAWING IS THE SOLE PROPERTY OF <ALL NEW SEMI>.  
ANY REPRODUCTION IN PART OR AS A WHOLE WITHOUT THE WRITTEN PERMISSION OF <ALL NEW SEMI> IS PROHIBITED.

<https://allnewsemi.com>  
<https://allnewsemi.shop>