



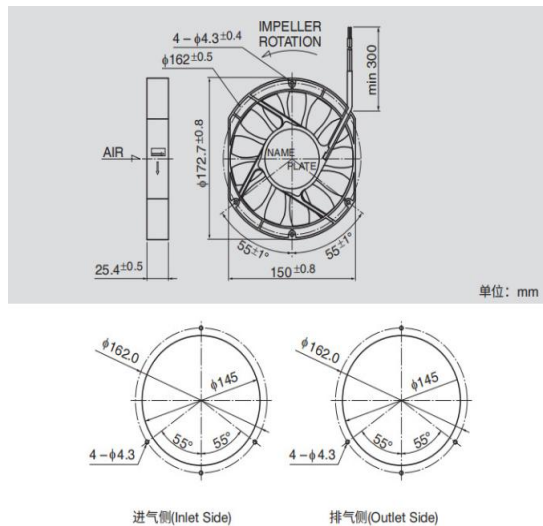
DC BRUSHLESS FAN

AQ13D17225B 172*150*25mm

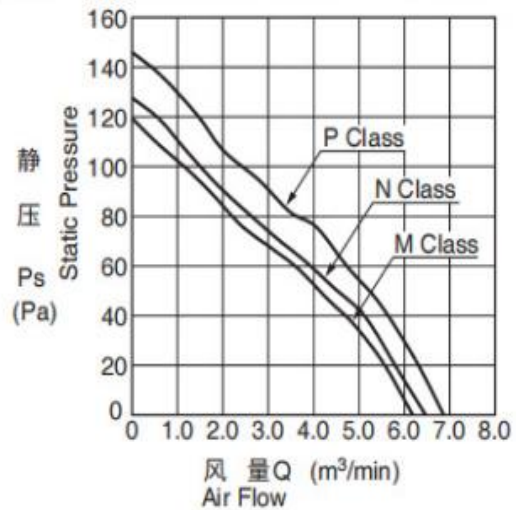
Motor:DC Brushless
 Bearing:Ball
 Shell frame: Aluminum Alloy
 Fan blade: PBT UL94V-0
 Insulation:Class B
 Wire:UL10368 AWG24 (optional)
 PIN1:BLACK WIRE----(-)
 PIN2:RED WIRE----(+)



DIMENSIONS DRAWING(unit:mm)



P@Q CURVE(AT RATED VOLTAGE)



Model	Bearing Mode①	Rated Volt	Operating voltage range	Rated current	Rated input power	Speed	Maximum air Flow		Maximum Air pressure		Noise
							M3/min	CFM	mmH2O	InH2O	
PART. NO.		VDC	VDC	Amp	Watt	R. P. M					dB-A
AQ13D17225B24M	B=Ball S=Sleeve H=Hydraulic	24	18.0~26.4	0.89	21.4	3350	6.1	215	118	0.47	60.5
AQ13D17225B24N		24	18.0~26.4	0.99	23.8	3500	6.4	226	127	0.51	61.5
AQ13D17225B24P		24	18.0~26.4	1.18	28.3	3750	6.8	240	145	0.58	64.0
AQ13D17225B48M		48	38.0~52.8	0.44	21.1	3350	6.1	215	118	0.47	60.5
AQ13D17225B48N		48	38.0~52.8	0.50	24.0	3500	6.4	226	127	0.51	61.5
AQ13D17225B48P		48	38.0~52.8	0.59	28.3	3750	6.8	240	145	0.58	64.0

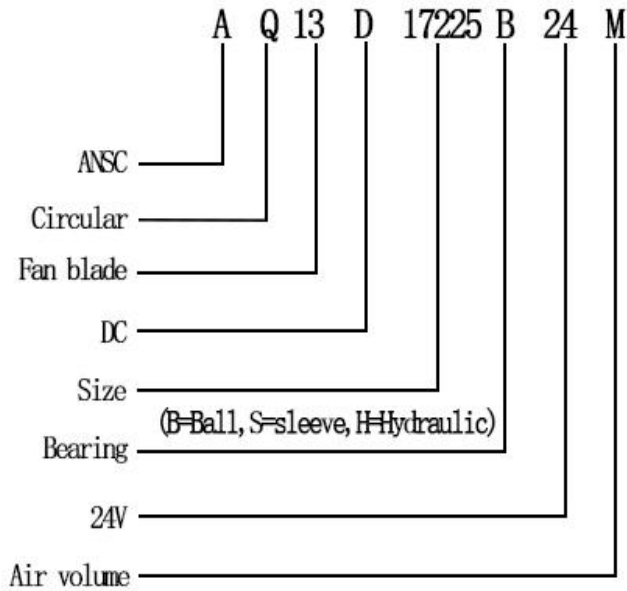
① Bearing Mode: Ball / Sleeve / Hydraulic / Ball (UL) / Sleeve (UL) Hydraulic (UL)

② X=Function: FG RD RDL LD PWM TP VC RC CS RP SS AS CL IPX5

③ A=Plug

④ C=Customized by customers: Air volume, Air duct, Movement, Service life, Temperature, Noise, Material, Mold. etc.

导引: 编码规则 Code Rule



*PROPRIETARY AND CONFIDENTIAL , THE INFORMATION CONTAINED IN THIS DRAWING IS THE SOLE PROPERTY OF <ALL NEW SEMI>. ANY REPRODUCTION IN PART OR AS A WHOLE WITHOUT THE WRITTEN PERMISSION OF <ALL NEW SEMI> IS PROHIBITED.

<https://allnewsemi.com>
<https://allnewsemi.shop>