



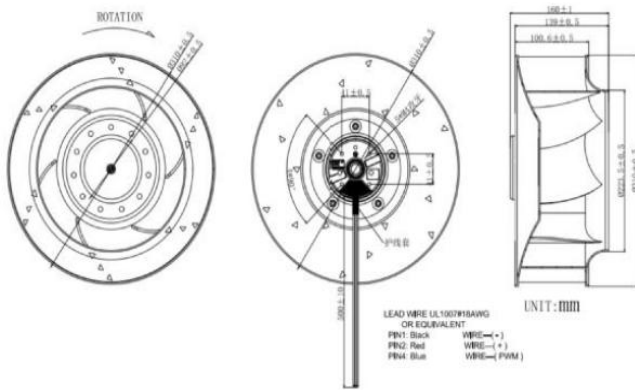
DC Centrifugal FAN

AQL310160B 310*310*160MM

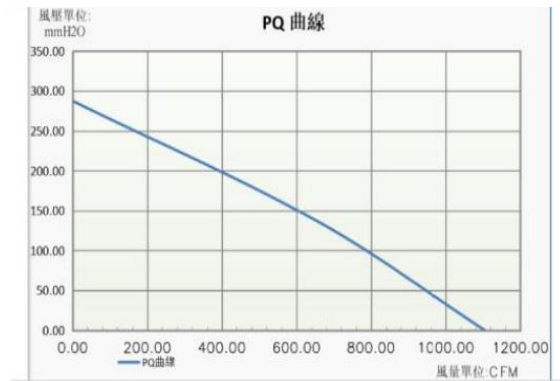
Motor:DC Centrifugal
 Bearing:Ball
 Shell frame: Aluminum alloy
 Fan blade: Aluminum alloy
 Insulation:Class B
 Wire:AWG#26UL1007 (optional)
 PIN1:BLACK WIRE---(-)
 PIN2:RED WIRE---(+)



DIMENSIONS DRAWING(unit:mm)



P@Q CURVE(AT RATEDVOLTAGE)



Model	Bearing Mode①	Rated Vol	Freque ncy	Rated current	Rated input power	Speed	Maximum air Flow		Maximum Air pressure		Noise
		VDC	VDC	Amp	Watt		R. P. M	M3/min	CFM	mmH2O	
PART. NO.											
AQL310160B24H	B=Ball S=Sleeve H=Hydraulic	24	18~27	3.2	76.8	1300	31.28	1105.3	287.5	11.33	65.4
AQL310160B48H		48	30~52	1.6	76.8	1300	31.28	1105.3	287.5	11.33	65.4

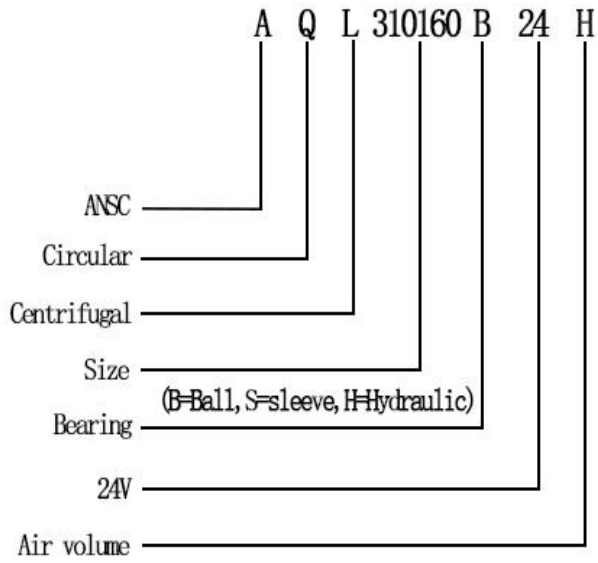
①Bearing Mode:Ball/ Sleeve/Hydraulic/Ball (UL)/Sleeve (UL)Hydraulic (UL)

②X=Function: FG RD RDL LD PWM TP VC RC CS RP SS AS CL IPX5

③A=Plug

④C=Customized by customers: Air volume, Air duct, Movement,Service life, Temperature, Noise, Material, Mold.etc.

导引： 编码规则Code Rule



*PROPRIETARY AND CONFIDENTIAL , THE INFORMATION CONTAINED IN THIS DRAWING IS THE SOLE PROPERTY OF <ALL NEW SEMI>.
ANY REPRODUCTION IN PART OR AS A WHOLE WITHOUT THE WRITTEN PERMISSION OF <ALL NEW SEMI> IS PROHIBITED.

<https://allnewsemi.com>
<https://allnewsemi.shop>