



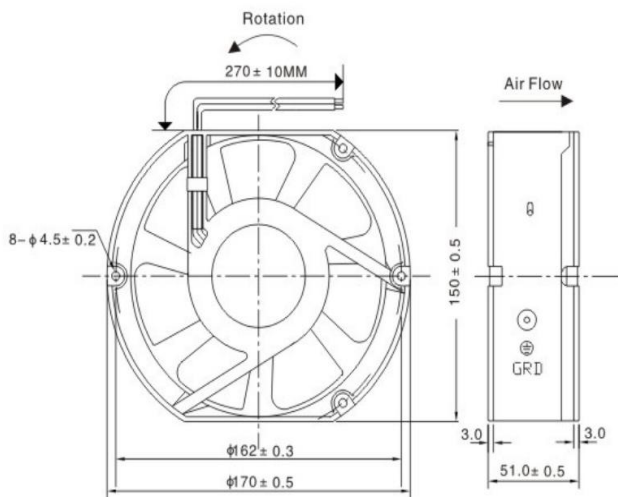
AC BRUSHLESS FAN

AQ7A17251B 172*172*51mm

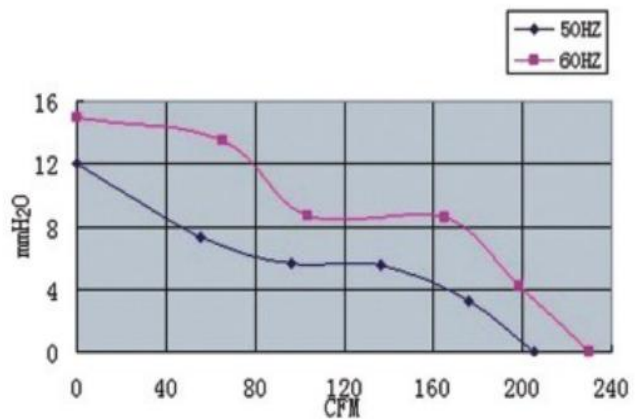
Motor: AC Brushless
 Bearing: Dual Ball
 Shell frame: Aluminum Alloy
 Fan blade: PBT UL94V_0
 Insulation: Class B
 Wire: AWG#26UL1007 (optional)
 PIN1: BLACK WIRE---(-)
 PIN2: RED WIRE---(+)



DIMENSIONS DRAWING(unit:mm)



P@Q CURVE(AT RATED VOLTAGE)



Model	Bearing Mode ^①	Rated Voltage	Operating Voltage	Rated current	Rated input power	Speed	Maximum air Flow		Maximum Air pressure		Noise
		VAC	VAC	Amp	Watt		R. P. M	M3/min	CFM	mmH2O	
PART. NO.											
AQ7A17251B110H	B=Ball S=Sleeve H=Hydraulic	110	100~125	0.35/0.40	46	2850	/	245	/	0.669	53
AQ7A17251B220H		220	220~240	0.20/0.22	50	3300	/	290	/	0.787	57

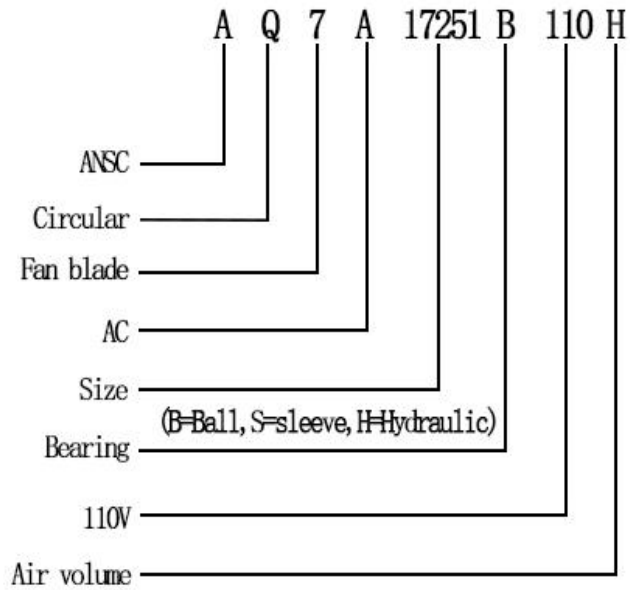
① Bearing Mode: Ball / Sleeve / Hydraulic / Ball (UL) / Sleeve (UL) / Hydraulic (UL)

② X=Function: FG RD RDL LD PWM TP VC RC CS RP SS AS CL IPX5

③ A=Plug

④ C=Customized by customers: Air volume, Air duct, Movement, Service life, Temperature, Noise, Material, Mold. etc.

导引：编码规则Code Rule



*PROPRIETARY AND CONFIDENTIAL , THE INFORMATION CONTAINED IN THIS DRAWING IS THE SOLE PROPERTY OF <ALL NEW SEMI>.
ANY REPRODUCTION IN PART OR AS A WHOLE WITHOUT THE WRITTEN PERMISSION OF <ALL NEW SEMI> IS PROHIBITED.

<https://allnewsemi.com>
<https://allnewsemi.shop>