



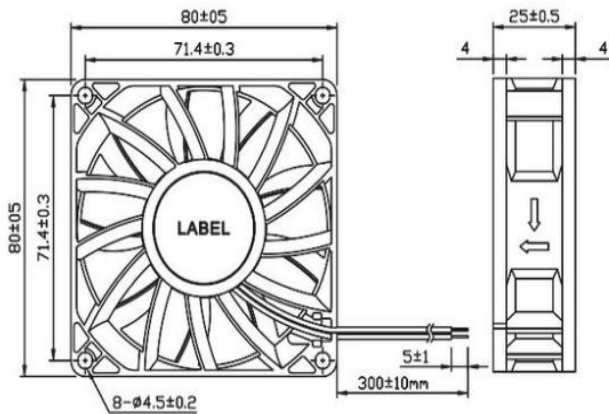
DC BRUSHLESS FAN

AF9D8025B 80*80*25MM

Motor:DC Brushless
 Bearing:Two Ball、Sleeve
 Shell frame: PBT UL94V-0
 Fan blade: PBT UL94V-0
 Insulation:Class B
 Wire:AWG#26UL1007 (optional)
 PIN1:BLACK WIRE----(-)
 PIN2:RED WIRE----(+)

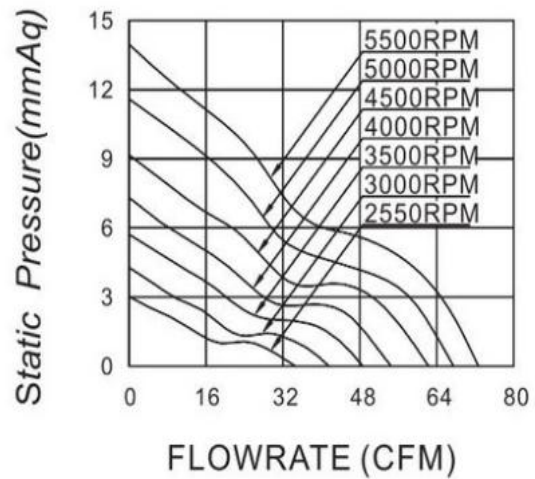


DIMENSIONS DRAWING(unit:mm)



UNIT: $\frac{mm}{(INCH)}$

P@Q CURVE(AT RATED VOLTAGE)



| Model | Bearing Mode① | Rated Voltage | Operating voltage range | Rated current | Rated input power | Speed | Maximum air Flow | | Maximum Air pressure | | Noise |
|---------------|-----------------------------------|---------------|-------------------------|---------------|-------------------|-------|------------------|--------|----------------------|-------|-------|
| | | VDC | VDC | Amp | Watt | | R. P. M | M3/min | CFM | mmH2O | |
| PART. NO. | | | | | | | | | | | |
| AF9D8025B12LL | B=Ball S=Sleeve H=Hydraulic | 12 | 7.5~13.5 | 0.12 | 1.44 | 2550 | 0.984 | 34.77 | 3.02 | 0.119 | 32.9 |
| AF9D8025B12L | | 12 | 7.5~13.5 | 0.15 | 1.80 | 3000 | 1.180 | 41.69 | 4.25 | 0.167 | 35.7 |
| AF9D8025B12M | | 12 | 7.5~13.5 | 0.25 | 3.00 | 3500 | 1.378 | 48.66 | 5.73 | 0.226 | 39.4 |
| AF9D8025B12H | | 12 | 7.5~13.5 | 0.30 | 3.60 | 4000 | 1.543 | 54.49 | 7.35 | 0.289 | 44.6 |
| AF9D8025B12HH | | 12 | 7.5~13.5 | 0.36 | 4.32 | 4500 | 1.765 | 62.34 | 9.20 | 0.362 | 47.3 |
| AF9D8025B12VH | | 12 | 7.5~13.5 | 0.56 | 6.72 | 5000 | 1.911 | 67.49 | 11.6 | 0.457 | 49.8 |

| | | | | | | | | | | | |
|---------------|-----------------------------------|----|----------|------|-------|------|-------|-------|------|-------|------|
| AF9D8025B12HV | B=Ball S=Sleeve H=Hydraulic | 12 | 7.5~13.5 | 0.66 | 7.92 | 5500 | 2.061 | 72.79 | 14.0 | 0.551 | 52.0 |
| AF9D8025B24L | | 24 | 18~26.5 | 0.10 | 2.40 | 3000 | 1.180 | 41.69 | 4.25 | 0.167 | 35.7 |
| AF9D8025B24H | | 24 | 18~26.5 | 0.16 | 3.84 | 4000 | 1.543 | 54.49 | 7.35 | 0.289 | 44.6 |
| AF9D8025B24VH | | 24 | 18~26.5 | 0.26 | 6.24 | 5000 | 1.911 | 67.49 | 11.6 | 0.457 | 49.8 |
| AF9D8025B24HV | | 24 | 18~26.5 | 0.35 | 8.40 | 5500 | 2.061 | 72.79 | 14.0 | 0.551 | 52.0 |
| AF9D8025B48L | | 48 | 36~54 | 0.06 | 2.88 | 3000 | 1.180 | 41.69 | 4.25 | 0.167 | 35.7 |
| AF9D8025B48H | | 48 | 36~54 | 0.12 | 5.76 | 4000 | 1.543 | 54.49 | 7.35 | 0.289 | 44.6 |
| AF9D8025B48VH | | 48 | 36~54 | 0.17 | 8.16 | 5000 | 1.911 | 67.49 | 11.6 | 0.457 | 49.8 |
| AF9D8025B48HV | | 48 | 36~54 | 0.22 | 10.56 | 5500 | 2.061 | 72.79 | 14.0 | 0.551 | 52.0 |

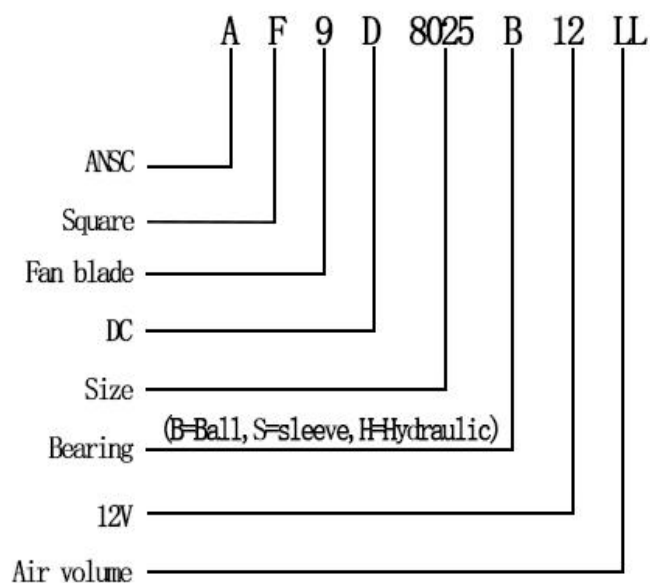
①Bearing Mode:Ball/ Sleeve/Hydraulic/Ball (UL)/Sleeve (UL)Hydraulic (UL)

②X=Function: FG RD RDL LD PWM TP VC RC CS RP SS AS CL IPX5

③A=Plug

④C=Customized by customers: Air volume, Air duct, Movement,Service life, Temperature, Noise, Material, Mold.etc.

导引: 编码规则Code Rule



*PROPRIETARY AND CONFIDENTIAL , THE INFORMATION CONTAINED IN THIS DRAWING IS THE
SOLE PROPERTY OF <ALL NEW SEMI>.
ANY REPRODUCTION IN PART OR AS A WHOLE WITHOUT THE WRITTEN PERMISSION OF
<ALL NEW SEMI> IS PROHIBITED.

<https://allnewsemi.com>
<https://allnewsemi.shop>