



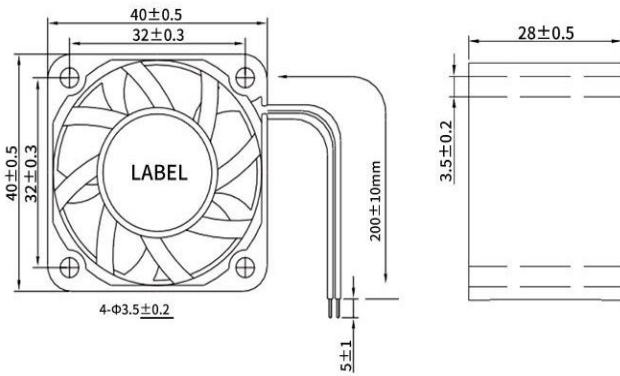
DC BRUSHLESS FAN

AF5D4028B 40*40*28mm

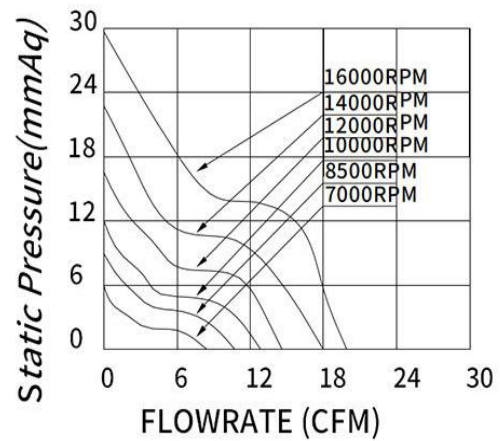
Motor:DC Brushless
 Bearing:Ball、sleeve、Hydraulic
 Shell frame: PBT UL94V-0
 Fan blade: PBT UL94V-0
 Insulation:Class B
 Wire:AWG#26UL1007 (optional)
 PIN1:BLACK WIRE----(-)
 PIN2:RED WIRE----(+)



DIMENSIONS DRAWING(unit:mm)



P@Q CURVE(AT RATED VOLTAGE)



Model	Bearing Mode①	Rate d	Operating	Rated	Rated	Speed	Maximum		Maximum		Noise
		Volt	voltage	current	input		air Flow	Air	pressure	pressure	
PART. NO.		VDC	range	Amp	Walt	R. P. M	M3/min	CFM	mmH2O	InH2O	dB-A
AF5D4028B12M	B=Ball S=Sleeve H=Hydraulic	12	7~13.5	0.15	1.80	7000	0.247	8.73	6.07	0.239	36.6
AF5D4028B12H		12	7~13.5	0.23	2.76	8000	0.302	10.60	8.70	0.343	37.3
AF5D4028B12HH		12	7~13.5	0.31	3.72	10000	0.358	12.60	12.05	0.474	41.1
AF5D4028B12HV		12	7~13.5	0.4	4.80	12000	0.427	15.00	16.84	0.663	47.3
AF5D4028B12UH		12	7~13.5	0.48	5.76	14000	0.507	17.90	22.74	0.895	50.9
AF5D4028B12VH		12	7~14	0.6	7.20	22000	0.579	27.60	68.50	1.166	54.0
AF5D4028B24M		24	18~26.5	0.08	1.80	7000	0.247	8.73	6.07	0.239	36.6

AF5D4028B24H	B=Ball S=Sleeve H=Hydraulic	24	18~26.5	0.115	2.76	8000	0.302	10.60	8.70	0.343	37.3
AF5D4028B24HH		24	18~26.5	0.16	3.72	10000	0.358	12.60	12.05	0.474	41.1
AF5D4028B24HV		24	18~26.5	0.2	4.80	12000	0.427	15.00	16.84	0.663	47.3
AF5D4028B24UH		24	18~26.5	0.24	5.76	14000	0.507	17.90	22.74	0.895	50.9
AF5D4028B24VH		24	18~26.5	0.3	7.20	16000	0.579	20.40	29.62	1.166	52.6

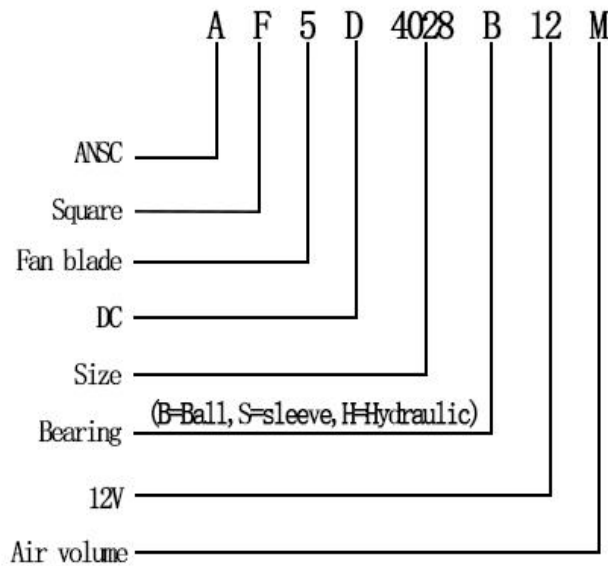
①Bearing Mode:Ball/ Sleeve/Hydraulic/Ball (UL)/Sleeve (UL)Hydraulic (UL)

②X=Function: FG RD RDL LD PWM TP VC RC CS RP SS AS CL IPX5

③A=Plug

④C=Customized by customers: Air volume, Air duct, Movement, Service life, Temperature, Noise, Material, Mold.etc.

导引： 编码规则Code Rule



*PROPRIETARY AND CONFIDENTIAL , THE INFORMATION CONTAINED IN THIS DRAWING IS THE SOLE PROPERTY OF <ALL NEW SEMI>. ANY REPRODUCTION IN PART OR AS A WHOLE WITHOUT THE WRITTEN PERMISSION OF <ALL NEW SEMI> IS PROHIBITED.

<https://allnewsemi.com>
<https://allnewsemi.shop>