



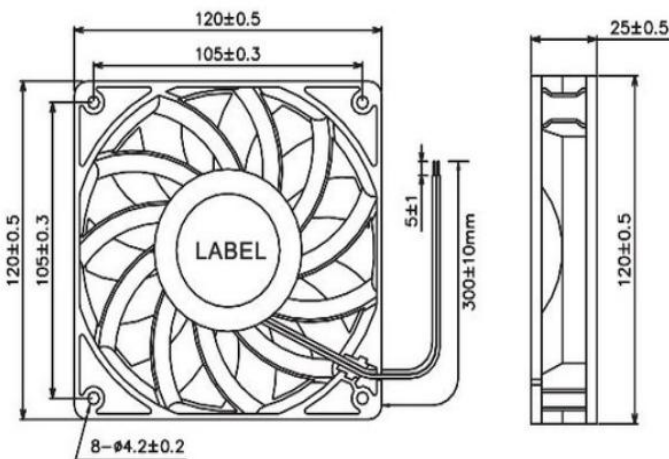
DC BRUSHLESS FAN

AF9D12025B 120*120*25mm

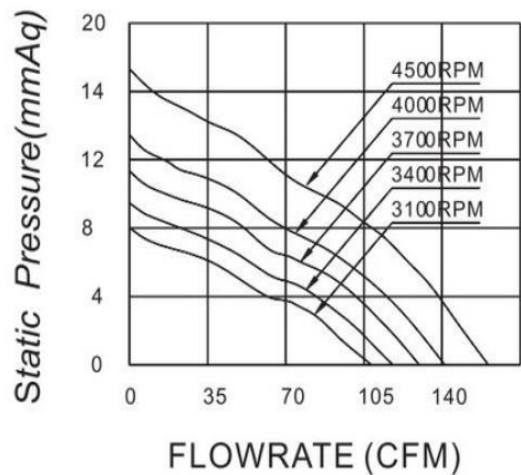
Motor:DC Brushless
 Bearing:Two Ball、Sleeve、Hydraulic
 Shell frame: PBT UL94V-0
 Fan blade: PBT UL94V-0
 Insulation:Class B
 Wire:AWG#26UL1007 (optional)
 PIN1:BLACK WIRE---(-)
 PIN2:RED WIRE---(+)



DIMENSIONS DRAWING(unit:mm)



P@Q CURVE(AT RATED VOLTAGE)



Model	Bearing Mode①	Rated Voltage	Operating voltage	Rated current	Rated input power	Speed	Maximum air Flow		Maximum Air pressure		Noise
		VDC	VDC	Amp	Watt		R. P. M	M3/min	CFM	mmH2O	
PART. NO.		VDC	VDC	Amp	Watt	R. P. M	M3/min	CFM	mmH2O	InH2O	dB-A
AF9D12025B12L	B=Ball S=Sleeve H=Hydraulic	12	8~13.5	0.54	6.48	3100	2.920	103.12	6.59	0.259	46.6
AF9D12025B12M		12	8~13.5	0.62	7.44	3400	3.033	107.13	8.12	0.319	49.6
AF9D12025B12H		12	8~13.5	0.71	8.52	3700	3.657	129.18	9.63	0.379	51.4
AF9D12025B12HH		12	8~13.5	0.84	10.08	4000	3.785	133.7	10.55	0.415	53.8
AF9D12025B12VH		12	8~13.5	1.2	14.40	4500	4.409	155.73	13.73	0.540	57.2
AF9D12025B24L		24	18~26.5	0.30	7.2	3100	2.920	103.12	6.59	0.259	46.6

AF9D12025B24M	B=Ball S=Sleeve H=Hydraulic	24	18~26.5	0.31	7.44	3400	3.033	107.13	8.12	0.319	49.6
AF9D12025B24H		24	18~26.5	0.36	8.64	3700	3.657	129.18	9.63	0.379	51.4
AF9D12025B24HH		24	18~26.5	0.42	10.08	4000	3.785	133.7	10.55	0.415	53.8
AF9D12025B24VH		24	18~26.5	0.60	14.40	4500	4.409	155.73	13.73	0.540	57.2
AF9D12025B48L		48	36~54	0.14	6.72	3100	2.920	103.12	6.59	0.259	46.6
AF9D12025B48M		48	36~54	0.16	7.68	3400	3.033	107.13	8.12	0.319	49.6
AF9D12025B48H		48	36~54	0.18	8.64	3700	3.657	129.18	9.63	0.379	51.4
AF9D12025B48HH		48	36~54	0.21	10.08	4000	3.785	133.7	10.55	0.415	53.8
AF9D12025B48VH		48	36~54	0.30	14.40	4500	4.409	155.73	13.73	0.540	57.2

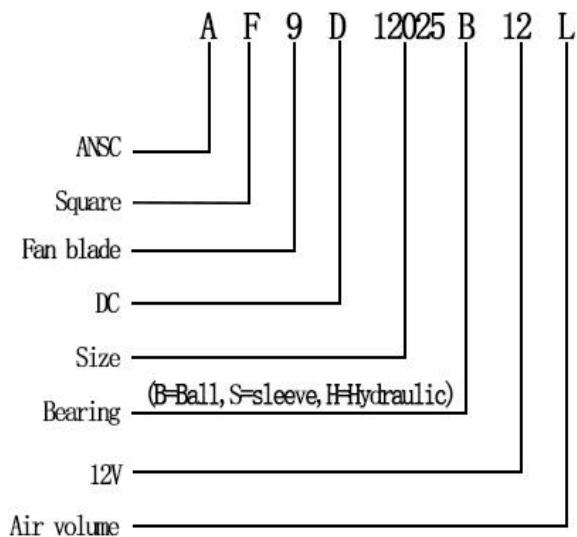
①Bearing Mode:Ball/ Sleeve/Hydraulic/Ball (UL)/Sleeve (UL)Hydraulic (UL)

②X=Function: FG RD RDL LD PWM TP VC RC CS RP SS AS CL IPX5

③A=Plug

④C=Customized by customers: Air volume, Air duct, Movement,Service life, Temperature, Noise, Material, Mold.etc.

导引：编码规则Code Rule



*PROPRIETARY AND CONFIDENTIAL , THE INFORMATION CONTAINED IN THIS DRAWING IS THE
SOLE PROPERTY OF <ALL NEW SEMI>.
ANY REPRODUCTION IN PART OR AS A WHOLE WITHOUT THE WRITTEN PERMISSION OF
<ALL NEW SEMI> IS PROHIBITED.

<https://allnewsemi.com>
<https://allnewsemi.shop>