



## DC Blower fan

AG3007H 30\*30\*7mm

Motor:DC

Bearing:Ball、sleeve、Hydraulic

Shell frame: PBT UL94V-0

Fan blade: PBT UL94V-0

Insulation:Class B

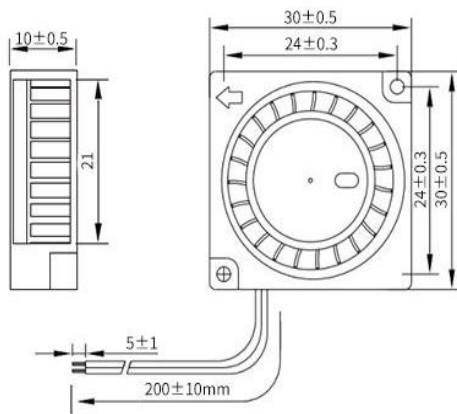
Wire:AWG#26UL1007 (optional)

PIN1:BLACK WIRE---(-)

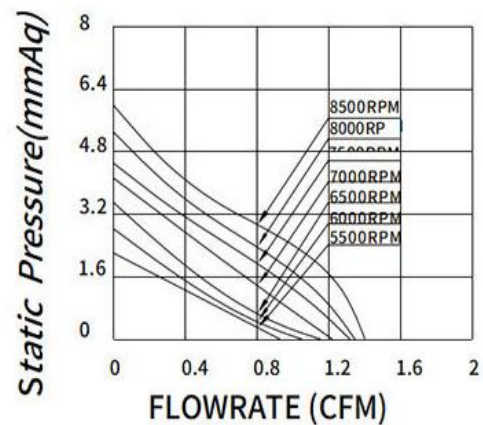
PIN2:RED WIRE---(+)



DIMENSIONS DRAWING(unit:mm)



P@Q CURVE(AT RATED VOLTAGE)



Model	Bearing Mode①	Rate d	Operatin g	Rated	Rated	Speed	Maximum air Flow		Maximum Air pressure		Noise
		Volt	voltage	curre nt	input power		M3/min	CFM	mmH20	InH20	
PART. NO.		VDC	VDC	Amp	Watt	R. P. M					
AG3007H05L	B=Ball S=Sleeve H=Hydraulic	5	3~6	0.08	0.40	5000	0.024	0.84	4.08	0.161	23.9
AG3007H05M		5	3~6	0.12	0.60	6000	0.031	1.11	5.92	0.233	27.2
AG3007H05H		5	3~6	0.18	0.90	7500	0.039	1.39	9.84	0.387	32.3
AG3007H12L		12	7.5~13.5	0.033	0.40	5000	0.024	0.84	4.08	0.161	23.9
AG3007H12M		12	7.5~13.5	0.05	0.60	6000	0.031	1.11	5.92	0.233	27.2
AG3007H12H		12	7.5~13.5	0.075	0.90	7500	0.039	1.39	9.84	0.387	32.3

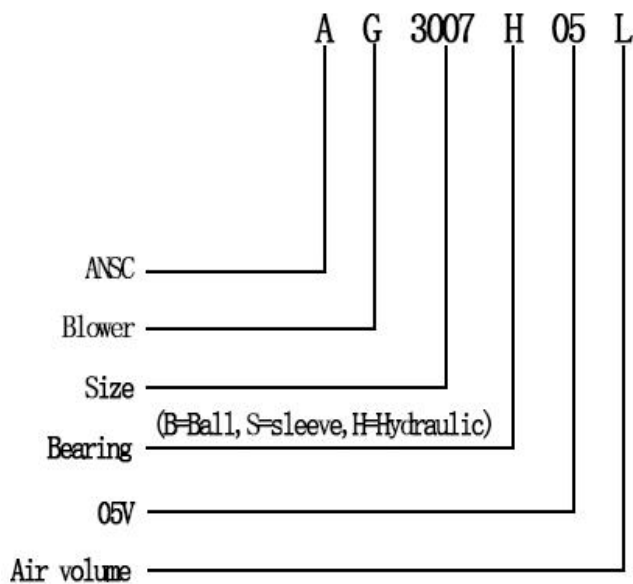
① Bearing Mode: Ball/ Sleeve/ Hydraulic/ Ball (UL)/ Sleeve (UL) Hydraulic (UL)

② X=Function: FG RD RDL LD PWM TP VC RC CS RP SS AS CL IPX5

③ A=Plug

④ C=Customized by customers: Air volume, Air duct, Movement, Service life, Temperature, Noise, Material, Mold. etc.

导引: 编码规则 Code Rule



\*PROPRIETARY AND CONFIDENTIAL , THE INFORMATION CONTAINED IN THIS DRAWING IS THE SOLE PROPERTY OF <ALL NEW SEMI>. ANY REPRODUCTION IN PART OR AS A WHOLE WITHOUT THE WRITTEN PERMISSION OF <ALL NEW SEMI> IS PROHIBITED.

<https://allnewsemi.com>  
<https://allnewsemi.shop>