



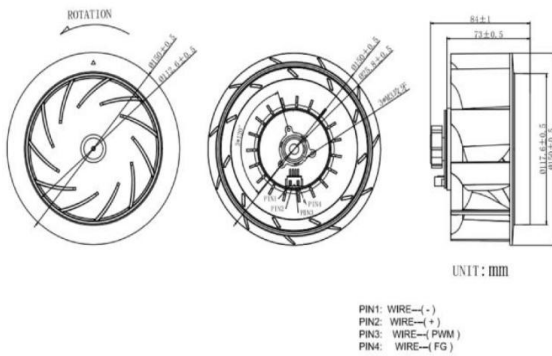
DC Centrifugal FAN

AQL15073B 150*150*73mm

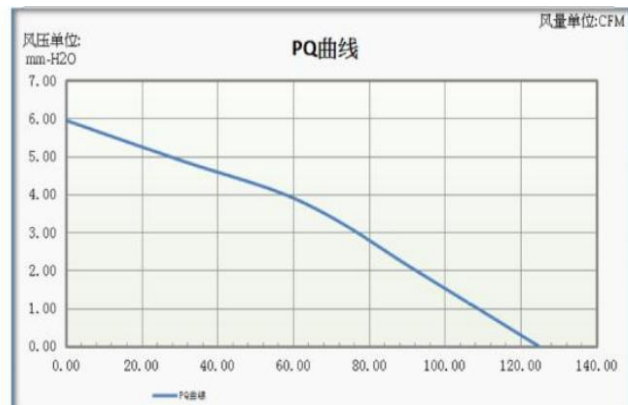
Motor:DC Centrifugal
 Bearing:Two Ball
 Shell frame: PBT UL94V-0
 Fan blade: PBT UL94V-0
 Insulation:Class B
 Wire:AWG#26UL1007 (optional)
 PIN1:BLACK WIRE---(-)
 PIN2:RED WIRE---(+)



DIMENSIONS DRAWING(unit:mm)



P@Q CURVE(AT RATED VOLTAGE)



Model	Bearing Mode①	Rated Vol	Freque ncy	Rated current	Rated input power	Speed	Maximum air Flow		Maximum Air pressure		Noise
		VDC	VAC	HZ	Watt	R. P. M	M3/min	CFM	mmH2O	InH2O	
PART. NO.											
AQL15073B12H	B=Ball S=Sleeve H=Hydraulic	12	9~15	0.46	5.52	1500	3.53	124.77	5.95	0.23	41.8
AQL15073B24H		24	12~26	0.23	5.52	1500	3.53	124.77	5.95	0.23	41.8
AQL15073B48H		48	38`52	0.115	5.52	1500	3.53	124.77	5.95	0.23	41.8

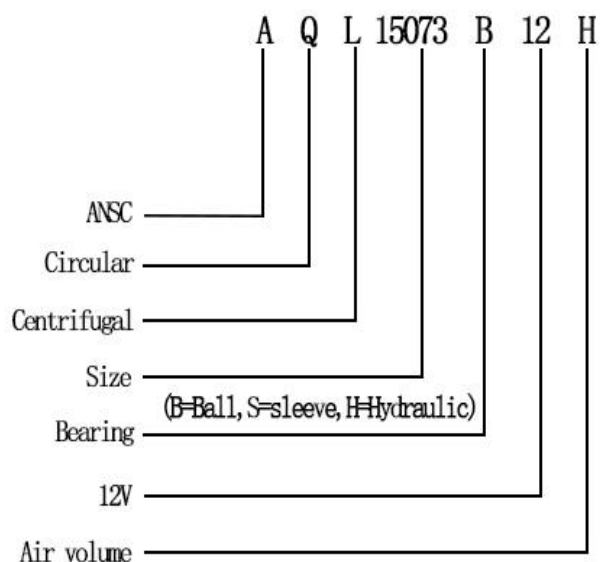
①Bearing Mode:Ball/ Sleeve/Hydraulic/Ball (UL)/Sleeve (UL)Hydraulic (UL)

②X=Function: FG RD RDL LD PWM TP VC RC CS RP SS AS CL IPX5

③A=Plug

④C=Customized by customers: Air volume, Air duct, Movement, Service life, Temperature, Noise, Material, Mold. etc.

导引： 编码规则Code Rule



*PROPRIETARY AND CONFIDENTIAL , THE INFORMATION CONTAINED IN THIS DRAWING IS THE SOLE PROPERTY OF <ALL NEW SEMI>.
ANY REPRODUCTION IN PART OR AS A WHOLE WITHOUT THE WRITTEN PERMISSION OF <ALL NEW SEMI> IS PROHIBITED.

<https://allnewsemi.com>
<https://allnewsemi.shop>