



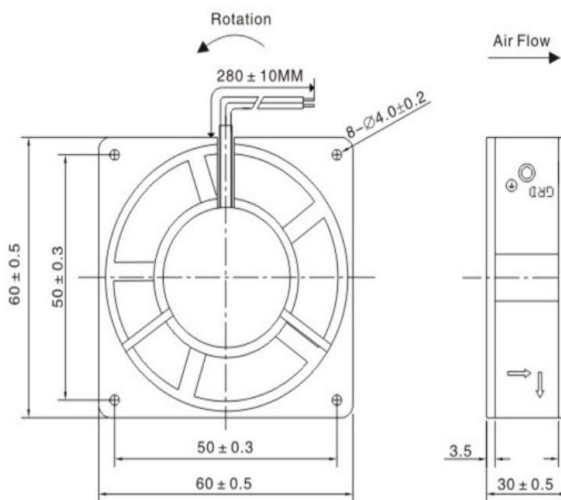
AC BRUSHLESS FAN

AF5A6030B 60*60*30mm

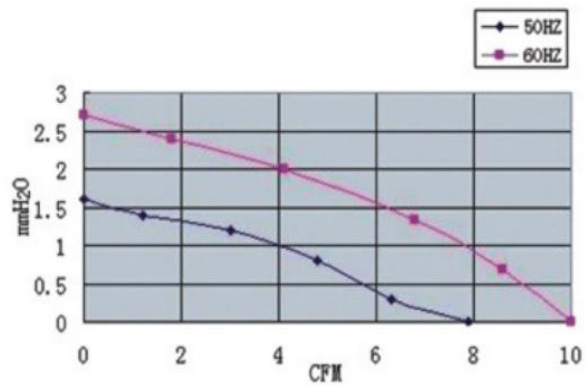
Motor: AC Brushless
 Bearing: Ball
 Shell frame: Aluminum Alloy
 Fan blade: PBT+30%GF
 Insulation: Class B
 Wire: AWG#22UL1007 (optional)
 PIN1: BLACK WIRE---(-)
 PIN2: RED WIRE---(+)



DIMENSIONS DRAWING(unit:mm)



P@Q CURVE(AT RATEDVOLTAGE)



Model	Bearing Mode ^①	Rate d	Ope rat	Rated	Rat ed	Speed	Maximum air Flow		Maximum Air pressure		Noise
		Volt	ing	current	inp		M3/min	CFM	mmH2O	InH2O	
PART. NO.		VAC	VAC	Amp	Watt	R. P. M					
AF5A6030B120H	B=Ball S=Sleeve H=Hydraulic	120	/	0.042/0.035	5/4	2500/3000	0.22/0.39	7.9/10	1.6/2.7	0.06/0.11	26/27
AF5A6030B230H		230	/	0.022/0.02	5/4	2500/3000	0.22/0.39	7.9/10	1.6/2.7	0.06/0.11	26/27

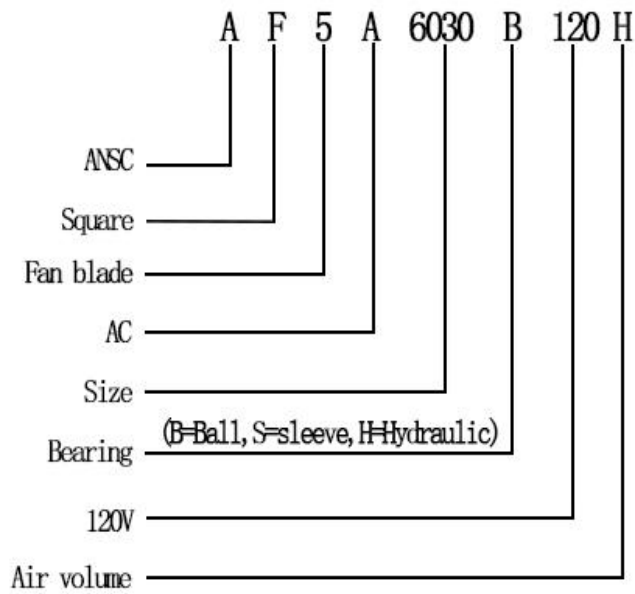
①Bearing Mode:Ball/ Sleeve/Hydraulic/Ball (UL)/Sleeve (UL)Hydraulic (UL)

②X=Function: FG RD RDL LD PWM TP VC RC CS RP SS AS CL IPX5

③A=Plug

④C=Customized by customers: Air volume, Air duct, Movement,Service life, Temperature, Noise, Material, Mold.etc.

导引：编码规则Code Rule



*PROPRIETARY AND CONFIDENTIAL , THE INFORMATION CONTAINED IN THIS DRAWING IS THE SOLE PROPERTY OF <ALL NEW SEMI>.
ANY REPRODUCTION IN PART OR AS A WHOLE WITHOUT THE WRITTEN PERMISSION OF <ALL NEW SEMI> IS PROHIBITED.

<https://allnewsemi.com>
<https://allnewsemi.shop>