



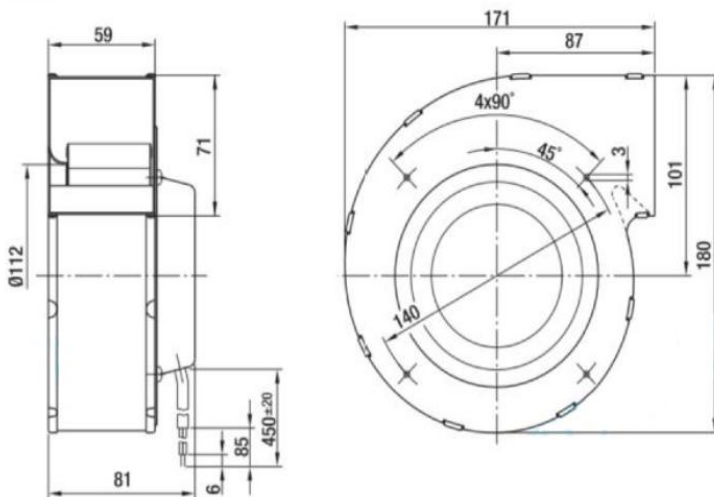
## DC BLOWER FAN

AG13372B 133\*133\*72mm

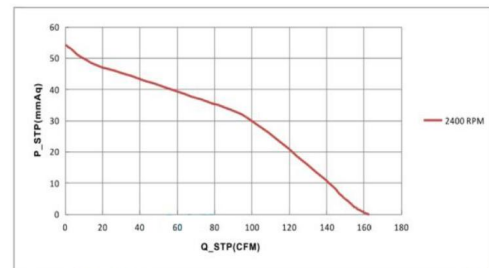
Motor:DC Blower  
 Bearing:Ball  
 Shell frame: SPCC  
 Fan blade: SPCC  
 Insulation:Class B  
 Wire:AWG#26UL1007 (optional)  
 PIN1:BLACK WIRE---(-)  
 PIN2:RED WIRE---(+)



DIMENSIONS DRAWING(unit:mm)



P@Q CURVE(AT RATED VOLTAGE)



Model	Bearing Mode①	Rated Voltage	Operating voltage range	Rated current	Rated input power	Speed	Maximum air Flow		Maximum Air pressure		Noise
		VDC	VDC	Amp	Watt		R. P. M	CMH	CFM	mmH2O	
PART. NO.											
AG13372B24H	B=Ball S=Sleeve H=Hydraulic	24	12~27	3.2	76.8	2400	277.2	163.1	54.3	532.68	66.2
AG13372B24VH		24	12~27	3.8	91.2	2650	318.7	187.7	61.2	600.37	70.8
AG13372B48H		48	36~54	1.6	76.8	2400	277.2	163.1	54.3	532.68	66.2
AG13372B48VH		48	36~54	1.9	91.2	2650	318.7	187.7	61.2	600.37	70.8

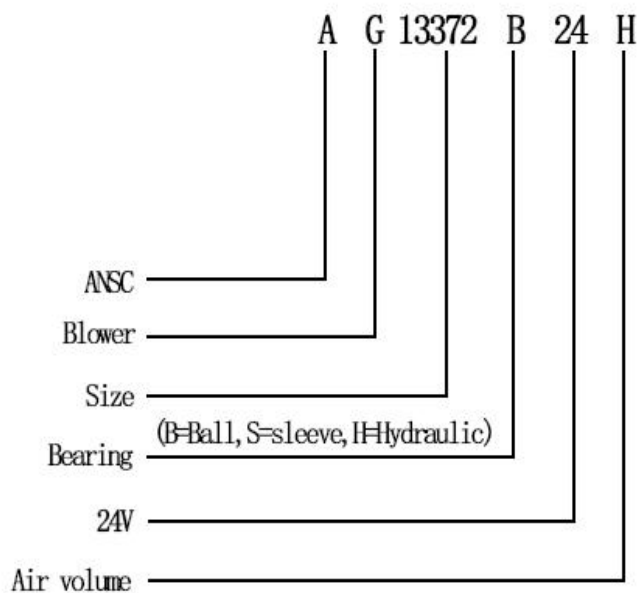
①Bearing Mode:Ball/ Sleeve/Hydraulic/Ball (UL)/Sleeve (UL)Hydraulic (UL)

②X=Function: FG RD RDL LD PWM TP VC RC CS RP SS AS CL IPX5

③A=Plug

④C=Customized by customers: Air volume, Air duct, Movement, Service life, Temperature, Noise, Material, Mold. etc.

导引： 编码规则Code Rule



\*PROPRIETARY AND CONFIDENTIAL , THE INFORMATION CONTAINED IN THIS DRAWING IS THE SOLE PROPERTY OF <ALL NEW SEMI>.  
ANY REPRODUCTION IN PART OR AS A WHOLE WITHOUT THE WRITTEN PERMISSION OF <ALL NEW SEMI> IS PROHIBITED.

<https://allnewsemi.com>  
<https://allnewsemi.shop>