



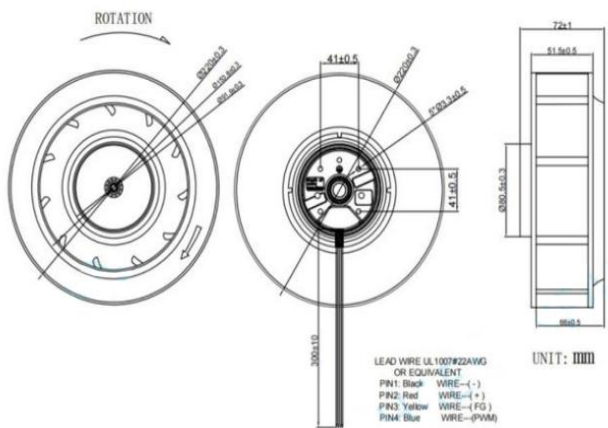
DC Centrifugal FAN

AQL22070B 220*70MM

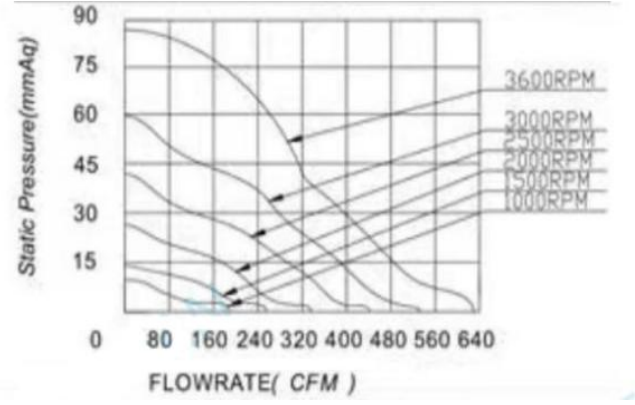
Motor:DC Centrifugal
 Bearing:Ball、Sleeve、Hydraulic
 Shell frame: Aluminum
 Fan blade: PBT UL94V_0
 Insulation:Class B
 Wire:AWG#26UL1007 (optional)
 PIN1:BLACK WIRE---(-)
 PIN2:RED WIRE---(+)



DIMENSIONS DRAWING(unit:mm)



P@Q CURVE(AT RATED VOLTAGE)



Model	Bearing Mode①	Rated Vol	Freque ncy	Rated current	Rated input power	Speed	Maximum air Flow		Maximum Air pressure		Noise
		VDC	VDC	Amp	Watt		R. P. M	M3/min	CFM	mmH20	
PART. NO.		VDC	VDC	Amp	Watt	R. P. M	M3/min	CFM	mmH20	InH20	dB-A
AQL22070B12L	B=Ball S=Sleeve H=Hydraulic	12	7.5~13.5	1.00	12.00	1000	5.326	188.21	9.67	0.381	53.40
AQL22070B12M		12	7.5~13.5	1.80	21.60	1500	7.211	254.81	14.02	0.552	58.00
AQL22070B12H		12	7.5~13.5	3.00	36.00	2000	9.842	347.79	26.43	1.041	66.20
AQL22070B12HH		12	7.5~13.5	4.60	55.20	2500	12.490	441.18	41.75	1.644	72.10
AQL22070B12VH		12	7.5~13.5	6.00	72.00	3000	15.070	532.41	59.47	2.341	76.60
AQL22070B12HV		12	7.5~13.5	8.00	96.00	3600	17.800	628.82	85.64	3.372	80.80

AQL22070B24L	B=Ball S=Sleeve H=Hydraulic	24	18~26.5	0.50	12.00	1000	5.326	188.21	9.67	0.381	53.40
AQL22070B24M		24	18~26.5	0.90	21.60	1500	7.211	254.81	14.02	0.552	58.00
AQL22070B24H		24	18~26.5	1.50	36.00	2000	9.842	347.79	26.43	1.041	66.20
AQL22070B24HH		24	18~26.5	2.30	55.20	2500	12.490	441.18	41.75	1.644	72.10
AQL22070B24VH		24	18~26.5	3.00	72.00	3000	15.070	532.41	59.47	2.341	76.60
AQL22070B24HV		24	18~26.5	4.00	96.00	3600	17.800	628.82	85.64	3.372	80.80
AQL22070B48H		48	36~54	0.75	36.00	2000	9.842	347.79	26.43	1.041	66.20
AQL22070B48HH		48	36~54	1.15	55.20	2500	12.490	441.18	41.75	1.644	72.10
AQL22070B48VH		48	36~54	1.50	72.00	3000	15.070	532.41	59.47	2.341	76.60
AQL22070B48HV		48	36~54	2.00	96.00	3600	17.800	628.82	85.64	3.372	80.80

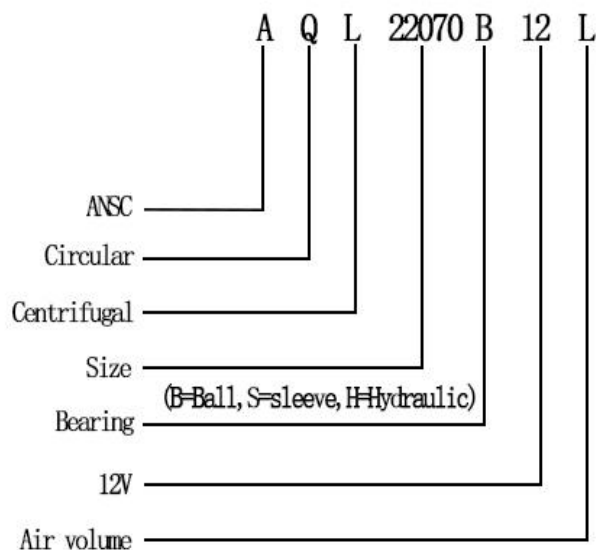
①Bearing Mode:Ball/ Sleeve/Hydraulic/Ball (UL)/Sleeve(UL)Hydraulic(UL)

②X=Function: FG RD RDL LD PWM TP VC RC CS RP SS AS CL IPX5

③A=Plug

④C=Customized by customers: Air volume, Air duct, Movement, Service life, Temperature, Noise, Material, Mold.etc.

导引: 编码规则Code Rule



*PROPRIETARY AND CONFIDENTIAL , THE INFORMATION CONTAINED IN THIS DRAWING IS THE SOLE PROPERTY OF <ALL NEW SEMI>. ANY REPRODUCTION IN PART OR AS A WHOLE WITHOUT THE WRITTEN PERMISSION OF <ALL NEW SEMI> IS PROHIBITED.

<https://allnewsemi.com>
<https://allnewsemi.shop>