



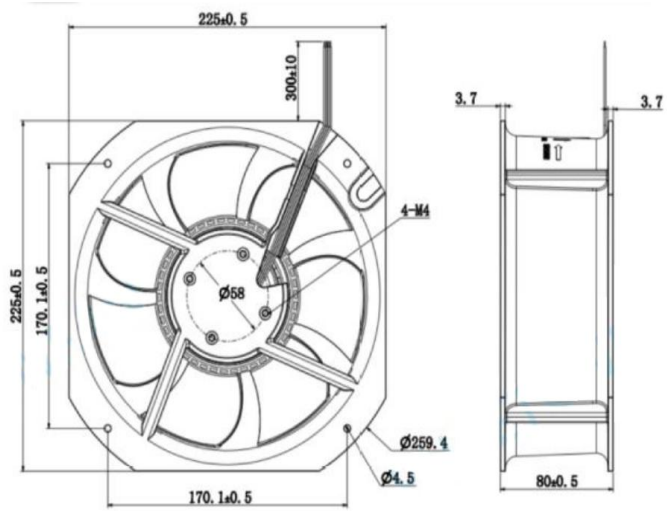
DC BRUSHLESS FAN

AQ7D22580B 225*225*80mm

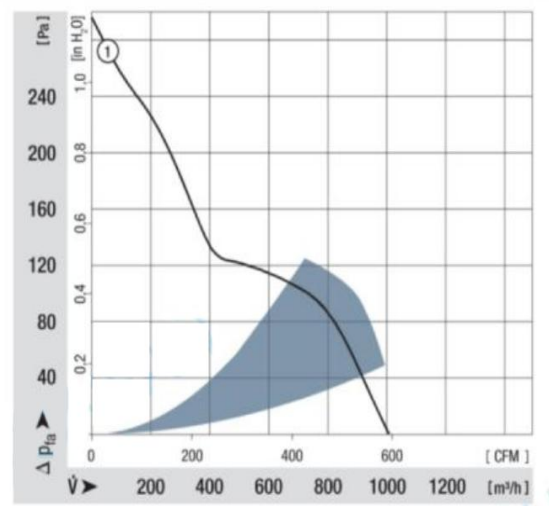
Motor:DC Brushless
 Bearing:Two Ball、Sleeve
 Shell frame: PBT UL94V-0
 Fan blade: PBT UL94V-0
 Insulation:Class B
 Wire:AWG#26UL1007 (optional)
 PIN1:BLACK WIRE---(-)
 PIN2:RED WIRE---(+)



DIMENSIONS DRAWING(unit:mm)



P@Q CURVE(AT RATEDVOLTAGE)



Model	Bearing Mode①	Rated Voltage	Operating voltage range	Rated current	Rated input power	Speed	Maximum air Flow		Maximum Air pressure		Noise
		VDC	VDC	Amp	Watt		R. P. M	M3/min	CFM	mmH20	
PART. NO.											
AQ7D22580B24VH	B=Ball S=Sleeve H=Hydraulic	24	16~28	2.0	50	3000	16.69	588	298	1.2	59
AQ7D22580B24HV		24	16~28	3.12	75	4000	21.16	745	398	1.6	63
AQ7D22580B48VH		48	36~54	1.0	50	3000	16.69	588	298	1.2	59
AQ7D22580B48HV		48	36~54	1.56	75	4000	21.16	745	398	1.6	63

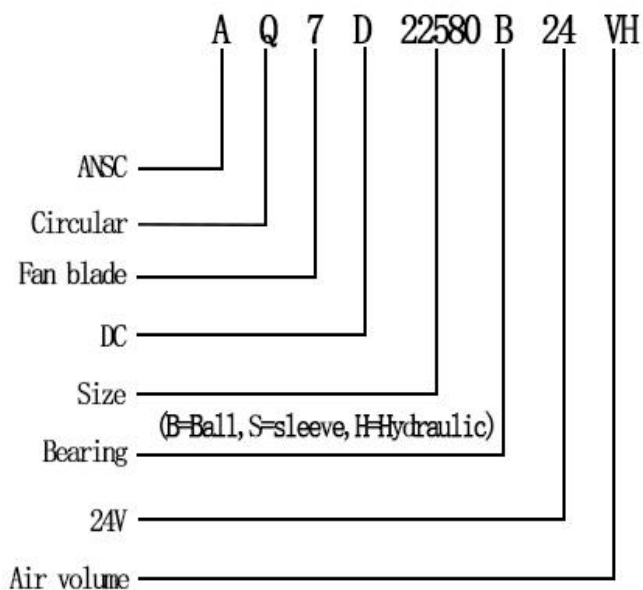
①Bearing Mode:Ball/ Sleeve/Hydraulic/Ball (UL)/Sleeve (UL)Hydraulic (UL)

②X=Function: FG RD RDL LD PWM TP VC RC CS RP SS AS CL IPX5

③A=Plug

④C=Customized by customers: Air volume, Air duct, Movement, Service life, Temperature, Noise, Material, Mold. etc.

导引： 编码规则Code Rule



*PROPRIETARY AND CONFIDENTIAL , THE INFORMATION CONTAINED IN THIS DRAWING IS THE SOLE PROPERTY OF <ALL NEW SEMI>.
ANY REPRODUCTION IN PART OR AS A WHOLE WITHOUT THE WRITTEN PERMISSION OF <ALL NEW SEMI> IS PROHIBITED.

<https://allnewsemi.com>
<https://allnewsemi.shop>